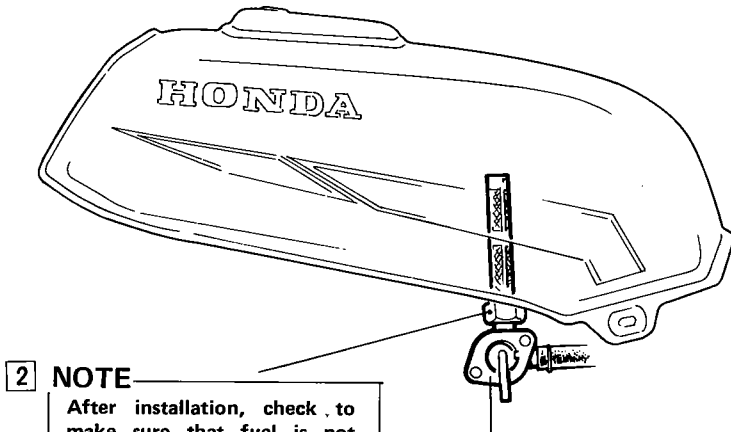


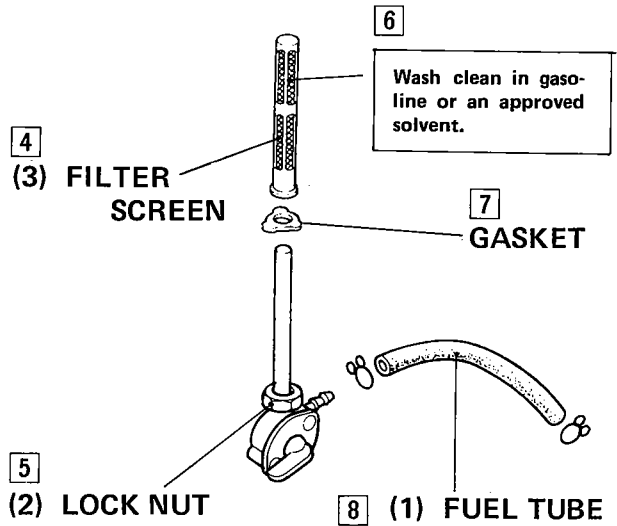
• FUEL COCK

1 Never bring an open flame near gasoline.



2 NOTE
After installation, check to make sure that fuel is not leaking past the gasketed surface.

3 FUEL COCK



6 Wash clean in gasoline or an approved solvent.

4 (3) FILTER SCREEN

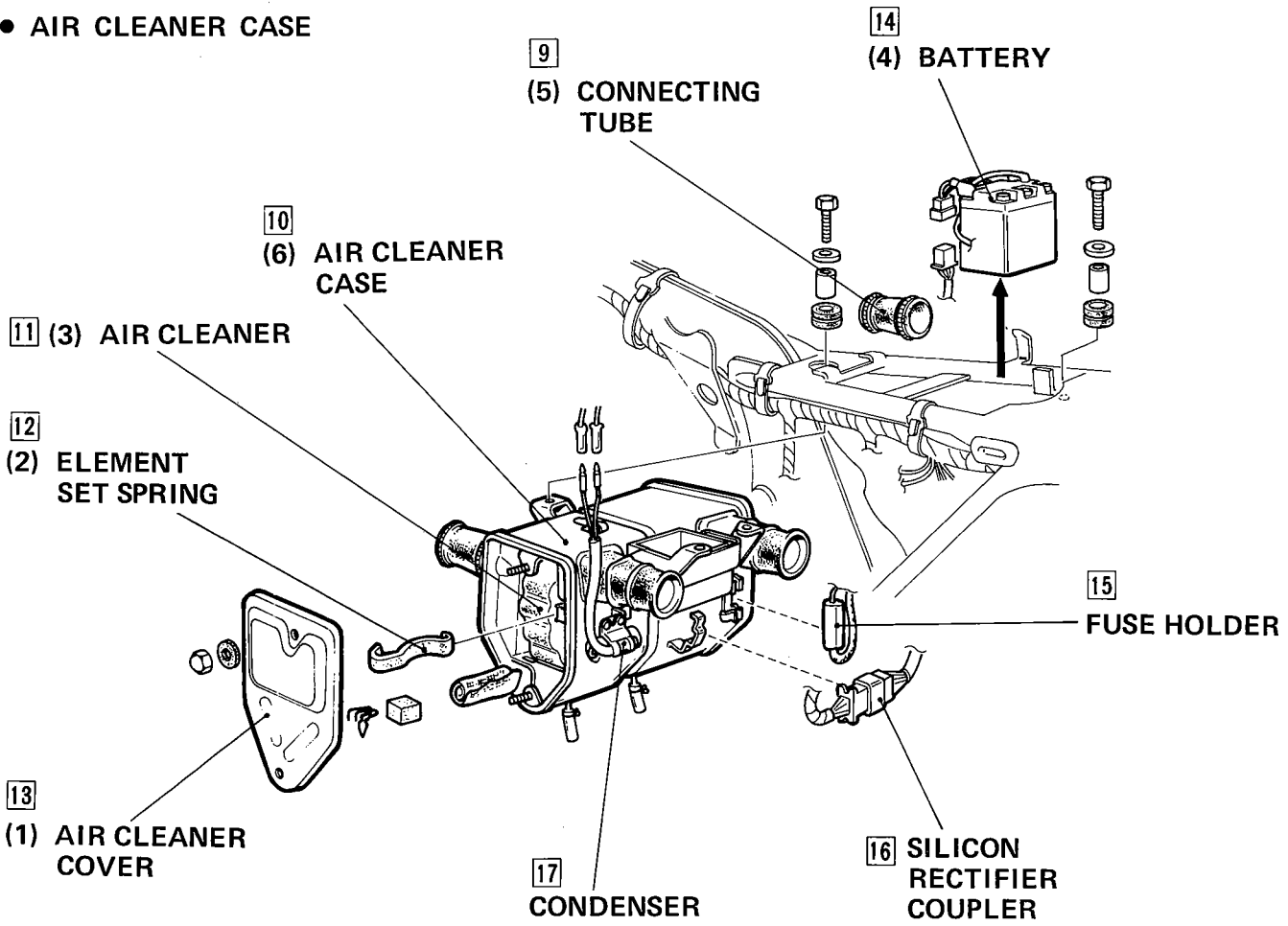
7 GASKET

5 (2) LOCK NUT

8 (1) FUEL TUBE

NOTE
Make sure that the tube is not cracked or deteriorated.

• AIR CLEANER CASE



9 (5) CONNECTING TUBE

14 (4) BATTERY

10 (6) AIR CLEANER CASE

11 (3) AIR CLEANER

12 (2) ELEMENT SET SPRING

15 FUSE HOLDER

13 (1) AIR CLEANER COVER

17 CONDENSER

16 SILICON RECTIFIER COUPLER