

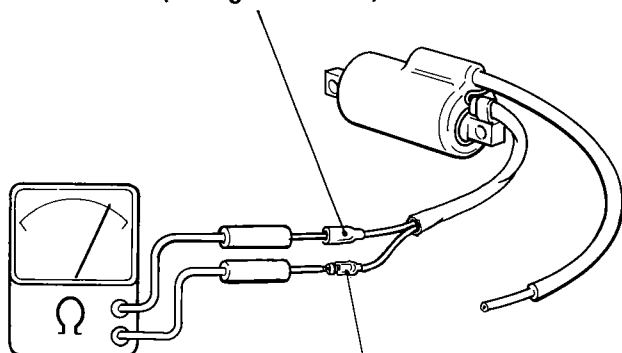
● IGNITION COIL CONTINUITY TEST

1

NOTE

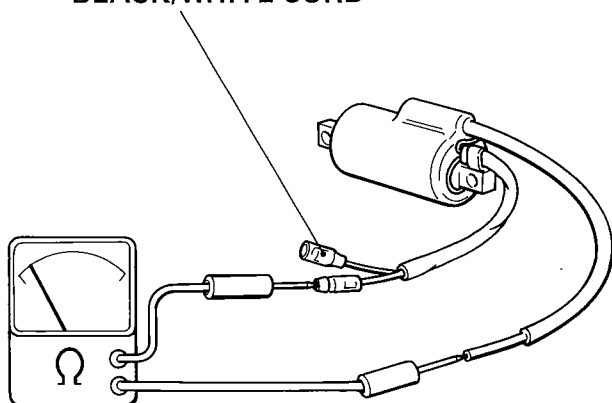
- Remove the spark plug cap, while rotating counter-clockwise, before making a continuity test.

2 BLUE CORD
(right ignition coil)
YELLOW CORD
(left ignition coil)



3 BLACK/WHITE CORD

BLACK/WHITE CORD



4

● PRIMARY COIL CONTINUITY TEST

5

Make the connections as shown. The coil is normal if there is continuity.

6

● SECONDARY COIL CONTINUITY TEST

7

Make the connections as shown. The coil is normal if there is continuity.

8

● CONTACT BREAKER INSPECTION

Page 158.