

FRONT WHEEL

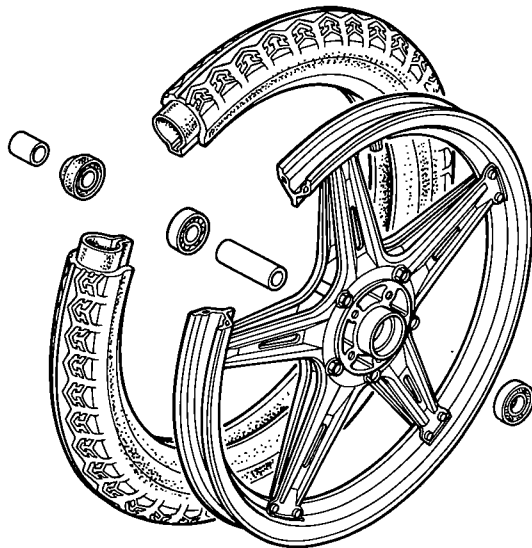
a. DISASSEMBLY AND ASSEMBLY

CAUTION

Do not remove the rivets, nuts and pins from the rim, spoke plates and hub, since they cannot be disassembled.
Do not ride on the rim or try to bend the wheel.
Handle with care since the rim is made of aluminum alloy.

NOTE

The COMSTAR WHEEL has no rim band.

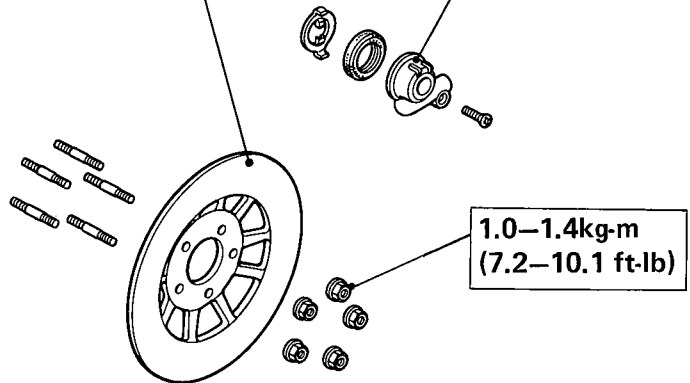


2 DISC PLATE

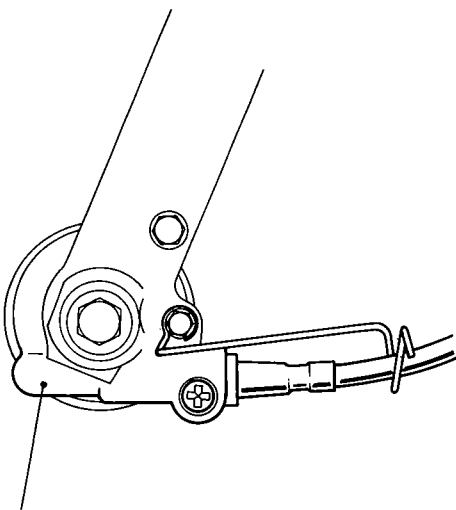
WARNING

Avoid oil or grease getting on the disc surface.

1 SPEEDOMETER GEARBOX



• SPEEDOMETER GEAR BOX INSTALLATION



3 SPEEDOMETER GEARBOX

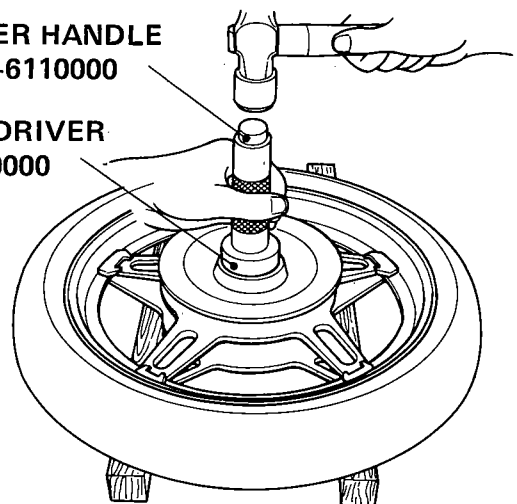
4 NOTE

Install the gear box with the lower edge horizontal.

• WHEEL BEARING DRIVING

5 DRIVER HANDLE 07949-6110000

6 BEARING DRIVER 07946-3640000



NOTE

- Drive the bearing squarely.
- Drive the bearing into position, making sure that it is fully seated and that the sealed side is facing out.