

REAR WHEEL

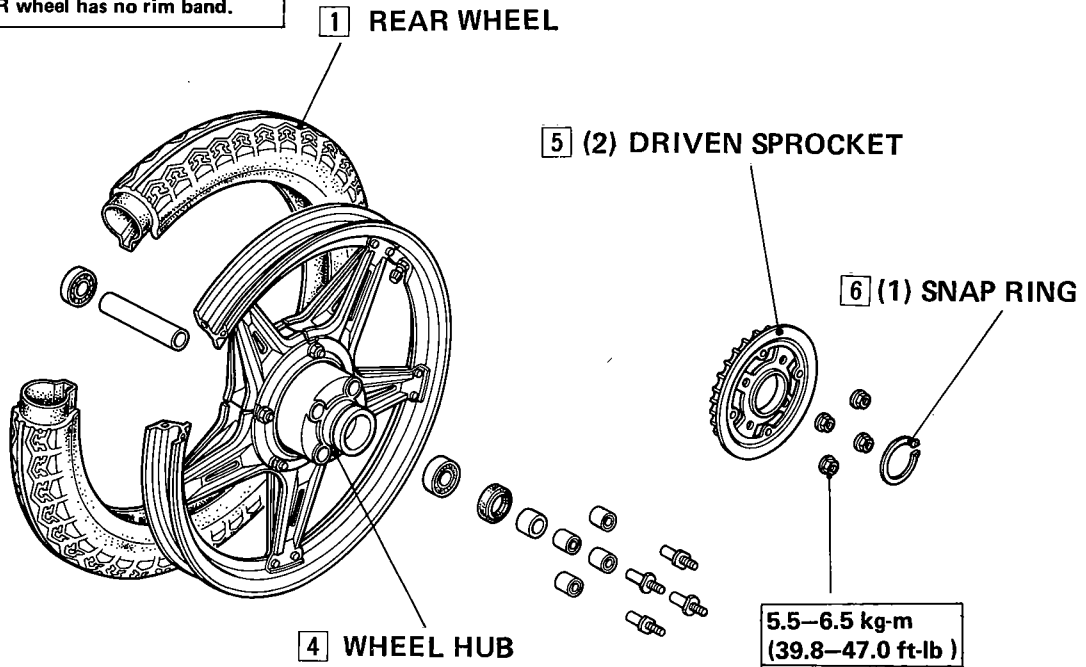
a. DISASSEMBLY AND ASSEMBLY

CAUTION

Do not remove rivets, nuts and pins from the rim, spoke plate and hub, since they cannot be disassembled.
 Never ride on the spokes or try to bend the wheel.
 Avoid damaging the aluminum alloy rim.

NOTE

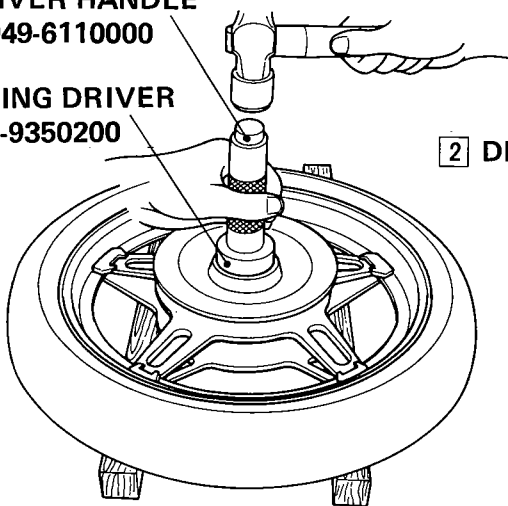
The COMSTAR wheel has no rim band.



● WHEEL BEARING DRIVING

7 DRIVER HANDLE
07949-6110000

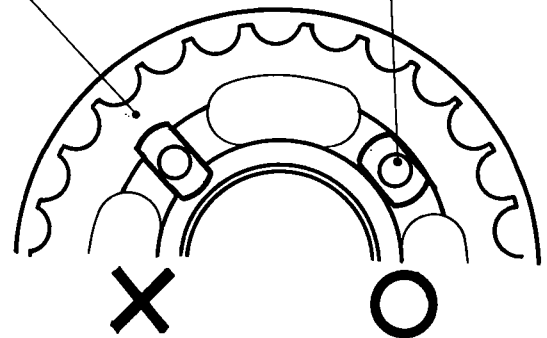
8 BEARING DRIVER
07946-9350200



3 NOTE

Position the fixing bolt flanges in place in the sprocket, then tighten the nuts to the specified torque.

2 DRIVEN SPROCKET



9 NOTE

Drive the bearings squarely.
 Install the bearings with the sealed end facing out.