

**C. Inspection**

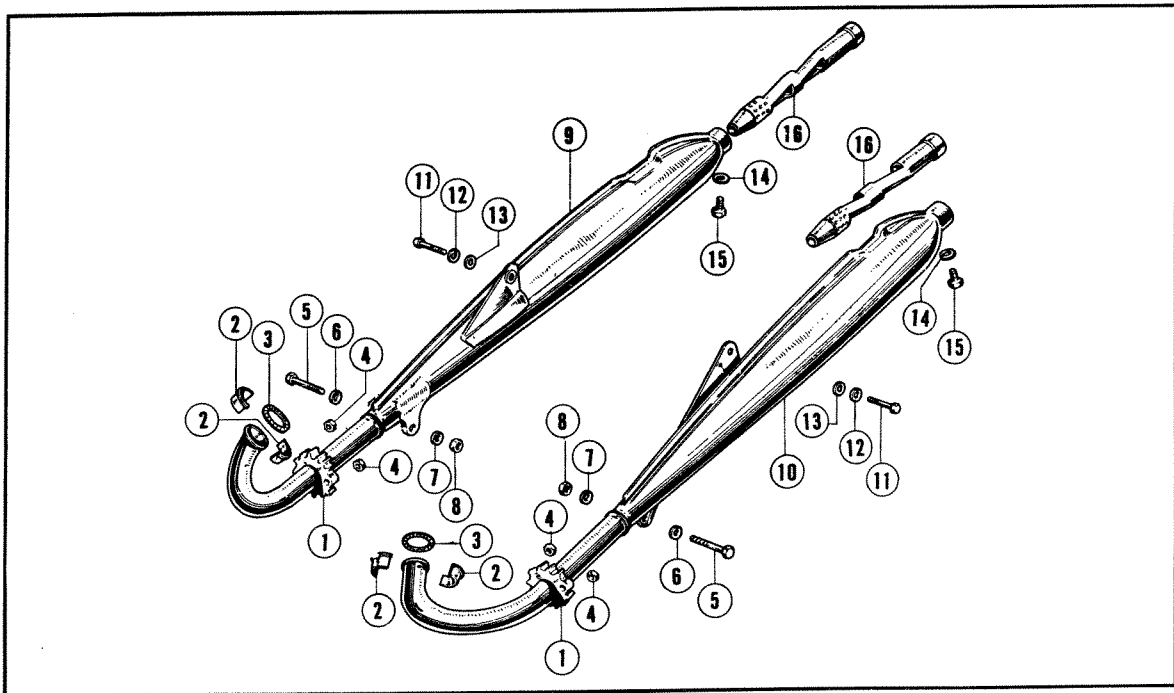
1. Inspect the muffler gasket for damage.
2. Inspect the muffler for cracks, dents and other defects.

**D. Reassembly**

Perform the assembly in the reverse order of disassembly.

**(Note)**

First install the exhaust pipe joint but do not tighten as it will make the installation of the other muffler mounting bolts difficult. The tightening of the exhaust pipe joint nuts should be made last.



- ① Exhaust pipe joint ② Exhaust pipe joint collar ③ Exhaust pipe gasket ④ 6 mm hex. nut ⑤ 8×71 hex. bolt  
 ⑥ 8 mm spring washer ⑦ 8 mm spring washer ⑧ 8 mm hex. nut ⑨ Right exhaust muffler ⑩ Left exhaust muffler  
 ⑪ 8×36 hex. bolt ⑫ 8 mm spring washer ⑬ 8 mm flat washer ⑭ 5 mm spring washer ⑮ 5×8 hex. bolt  
 ⑯ Exhaust diffuser pipe

Fig. 4-40-1. CB125 Muffler