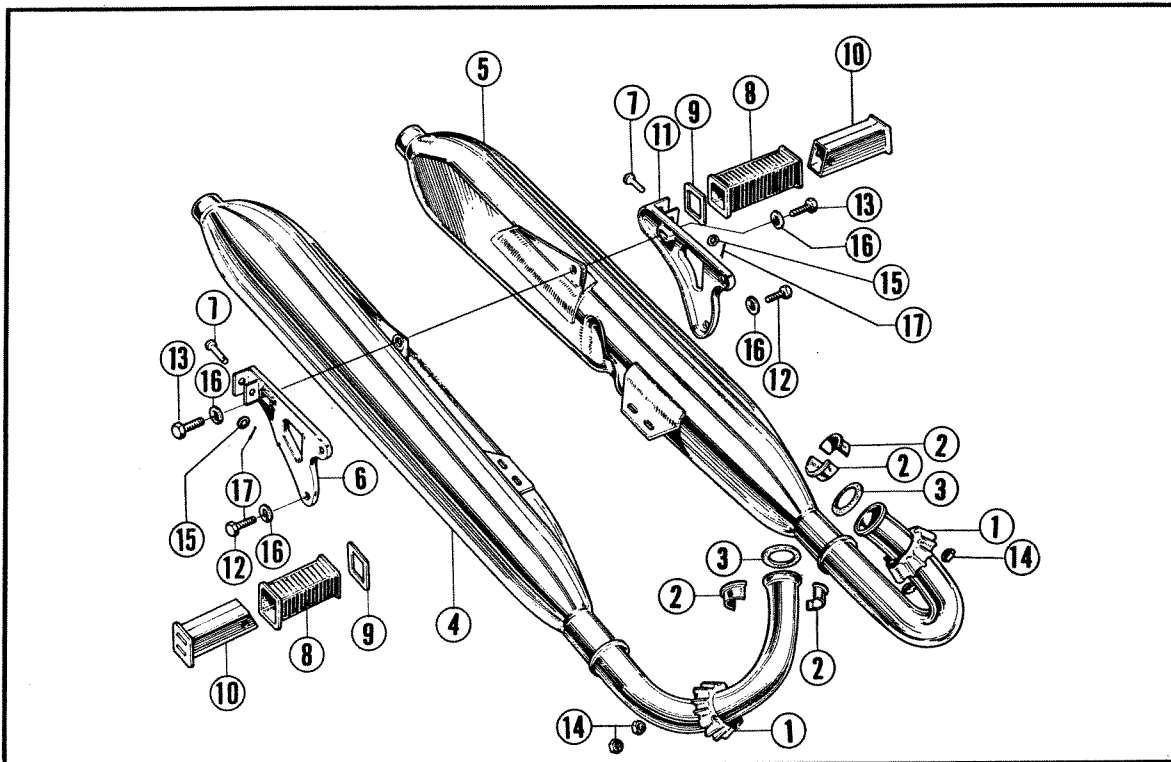


① Left exhaust pipe ② Exhaust pipe joint collar ③ Exhaust pipe gasket ④ Exhaust pipe joint ⑤ 6 mm hex. nut  
 ⑥ Exhaust pipe bracket A ⑦ Exhaust pipe bracket B ⑧ 6 mm flat washer ⑨ 6×32 hex. bolt ⑩ Right exhaust pipe  
 ⑪ 8 mm hex. nut ⑫ 8 mm flat washer ⑬ Muller hanger stay ⑭ 8 mm spring washer ⑮ 8 mm flat washer  
 ⑯ 8 mm spring washer ⑰ Exhaust pipe setting bolt ⑱ 6×20 hex. bolt ⑲ Muller band ⑳ Muller packing  
 ㉑ Exhaust pipe protector ㉒ 6 mm flat washer ㉓ 6×12 cross screw ㉔ 6×10 cross screw  
 Fig. 4-40-2. CL125 Muffler



① Exhaust pipe joint ② Exhaust pipe joint collar ③ Exhaust pipe gasket ④ Right exhaust muffler ⑤ Left exhaust muffler  
 ⑥ Right pillion step arm ⑦ Pillion step pin ⑧ Pillion step rubber ⑨ Pillion step washer ⑩ Pillion step bar  
 ⑪ Left pillion step arm ⑫ 8×16 hex. bolt ⑬ 8×36 hex. bolt ⑭ 6 mm hex. nut ⑮ 6 mm flat washer  
 ⑯ 8 mm spring washer ⑰ 1.6×15 cotter pin  
 Fig. 4-40-3. CB175 Muffler