

4. Route the starting motor cable as shown in Fig. 4-4 and connect it to the starter magnetic switch.

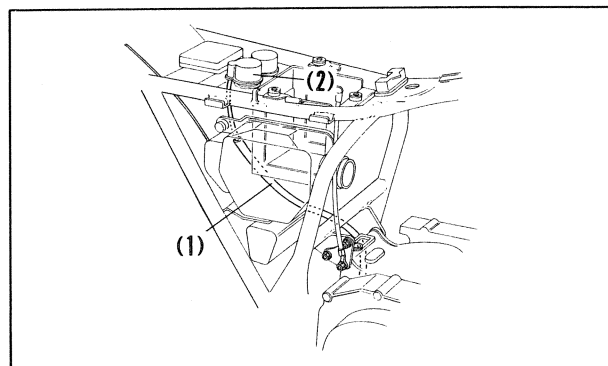


Fig. 4-4 (1) Starting motor cable
(2) Starter magnetic switch

5. Push the carburetor toward the insulator completely and secure it with the connecting tube band.

NOTE:

Install the A.C. generator connector before installing the carburetor.

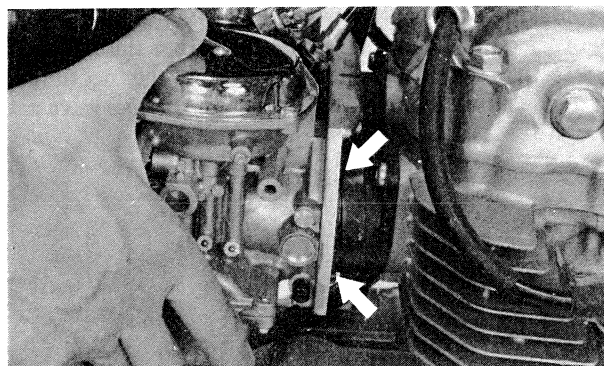


Fig. 4-5

6. Loosen the rear axle nut, chain adjuster lock nut and chain adjuster, and push the rear wheel forward all the way.
7. Install the driven sprocket to the drive chain and then the assembly to the countershaft. Secure the sprocket with the fixing plate and fixing bolts.

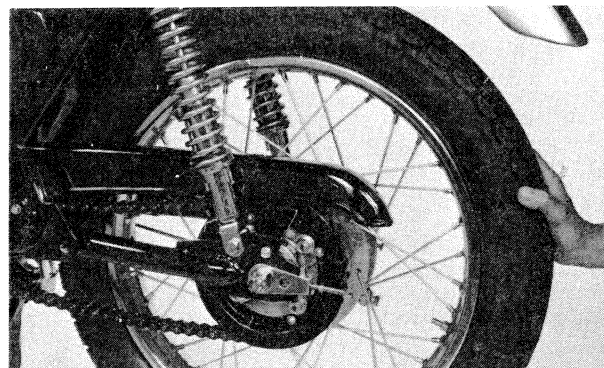


Fig. 4-6 Push rear wheel forward all the way

8. Adjust the chain tension.
* The chain slack should be 20 mm ($\frac{3}{4}$ in) at the position shown at right.
* Align the index marks on the right and left adjusters with the reference marks on the side scales.

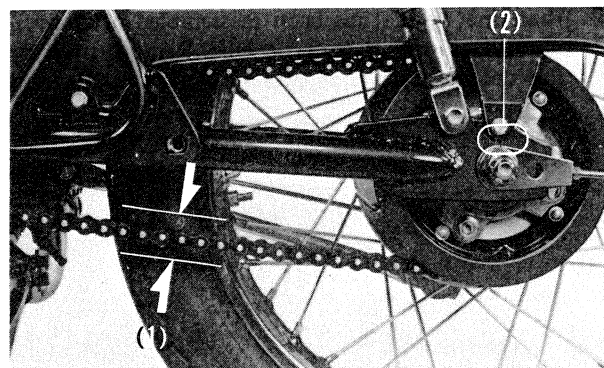


Fig. 4-7 (1) Chain slack (2) Index and reference marks