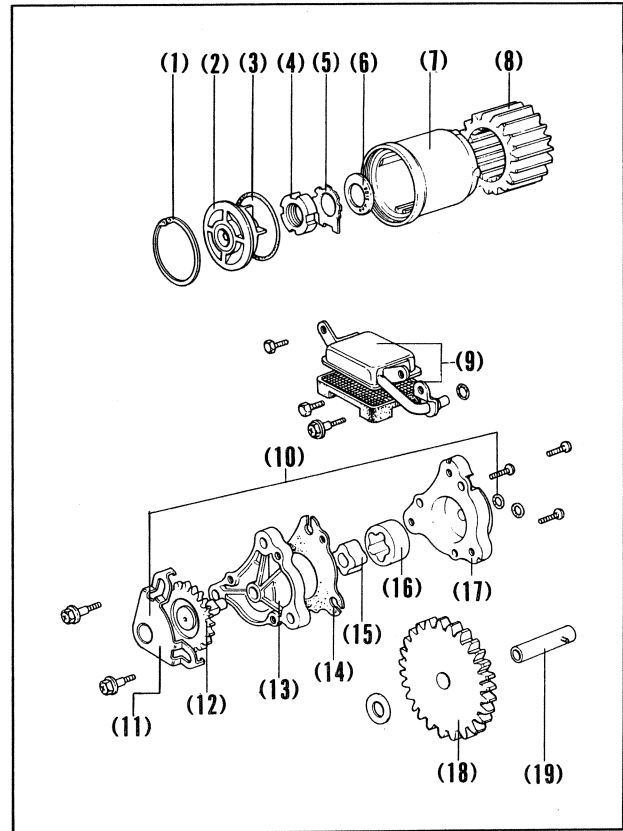


6. OIL PUMP AND OIL FILTER ROTOR

Fig. 4-58 (1) 45 mm internal snap ring
 (2) Oil filter cap
 (3) 41 x 2 O-ring
 (4) 16 mm lock nut
 (5) 16 mm lock washer
 (6) Oil filter lock washer
 (7) Oil filter rotor
 (8) Primary drive gear
 (9) Oil filter screen
 (10) Oil pump assy.
 (11) Oil pump setting plate
 (12) Oil pump drive gear
 (13) Oil pump side cover
 (14) Oil pump cover gasket
 (15) Oil pump inner rotor
 (16) Oil pump outer rotor
 (17) Oil pump body
 (18) Oil pump idle gear
 (19) Oil pump idle shaft



Disassembly

1. Remove the right crankcase cover.
2. Remove the oil pump idle gear by lifting the idle shaft.

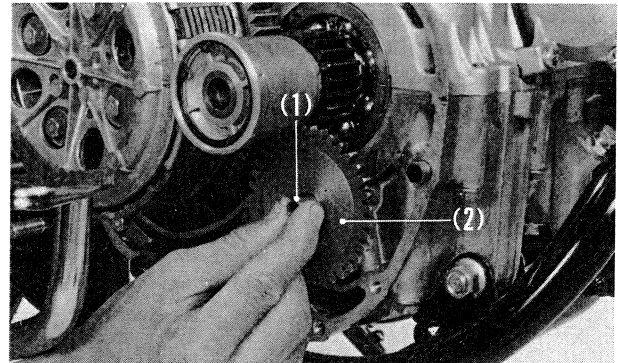


Fig. 4-59 (1) Oil pump idle shaft
 (2) Oil pump idle gear

3. Remove the bolts (2) and (3) and remove the oil filter screen.

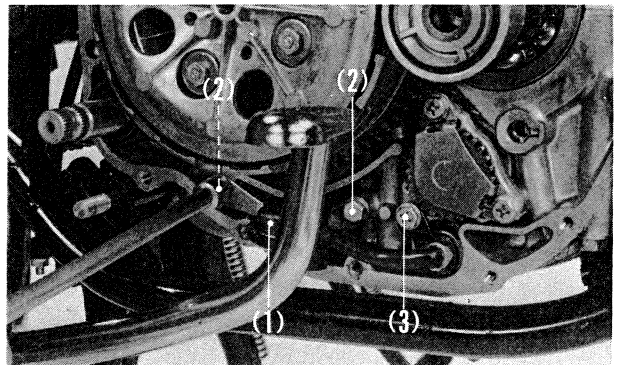


Fig. 4-60 (1) Oil filter screen
 (2) Bolt
 (3) Bolt