

5. Remove the crankcase tightening bolts.

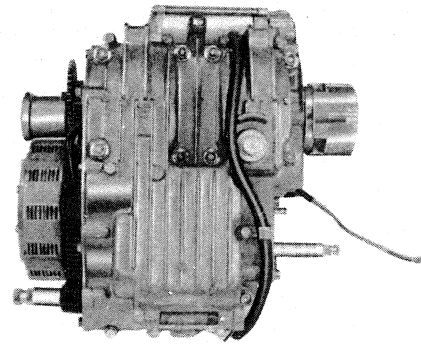


Fig. 4-72

6. Remove the lower crankcase by lifting it.
The crankcase can be removed without any sign of binding by moving the change arm of the gearshift spindle as shown at right.
Completely remove sealing agent from the crankcase.
7. Remove the gearshift spindle.

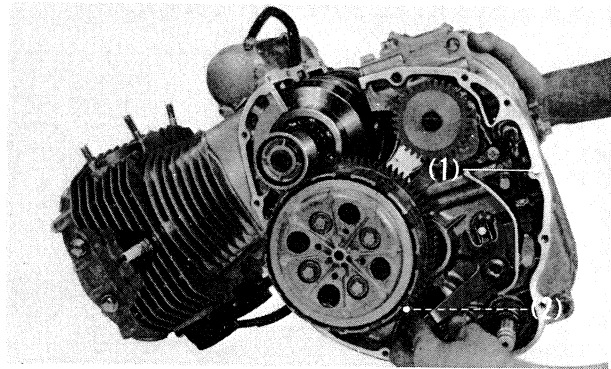


Fig. 4-73 (1) Lower crankcase
(2) Change arm

8. Remove the 18 mm washer and snap ring and remove the kick starter spring.
Perform this job after removing the right crankcase.

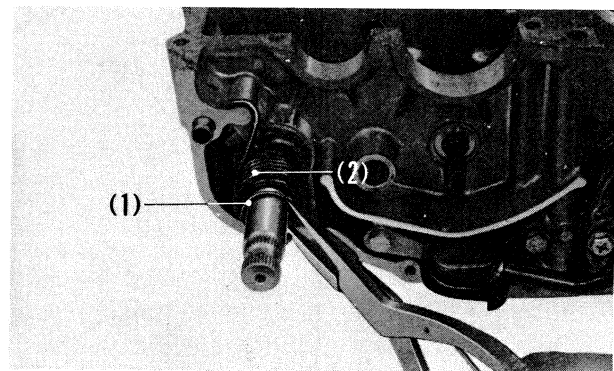


Fig. 4-74 (1) 18mm snap ring
(2) Kick starter spring

9. Remove the 12 mm external snap ring using the snap ring pliers and the ratchet guide plate, kick starter ratchet and kick starter pinion will be removed in this order. Remove the kick starter spindle from the lower crankcase.

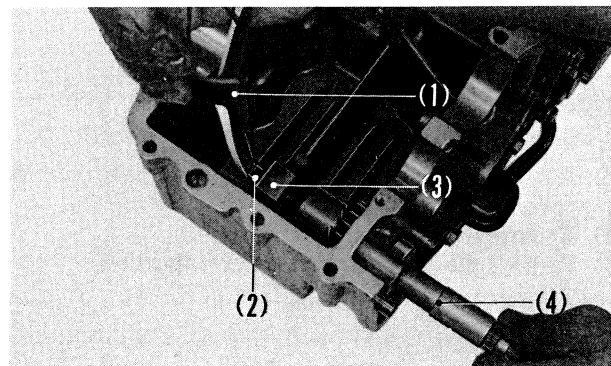


Fig. 4-75 (1) Snap ring pliers
(2) 12mm external snap ring
(3) Ratchet guide plate
(4) Kick starter spindle