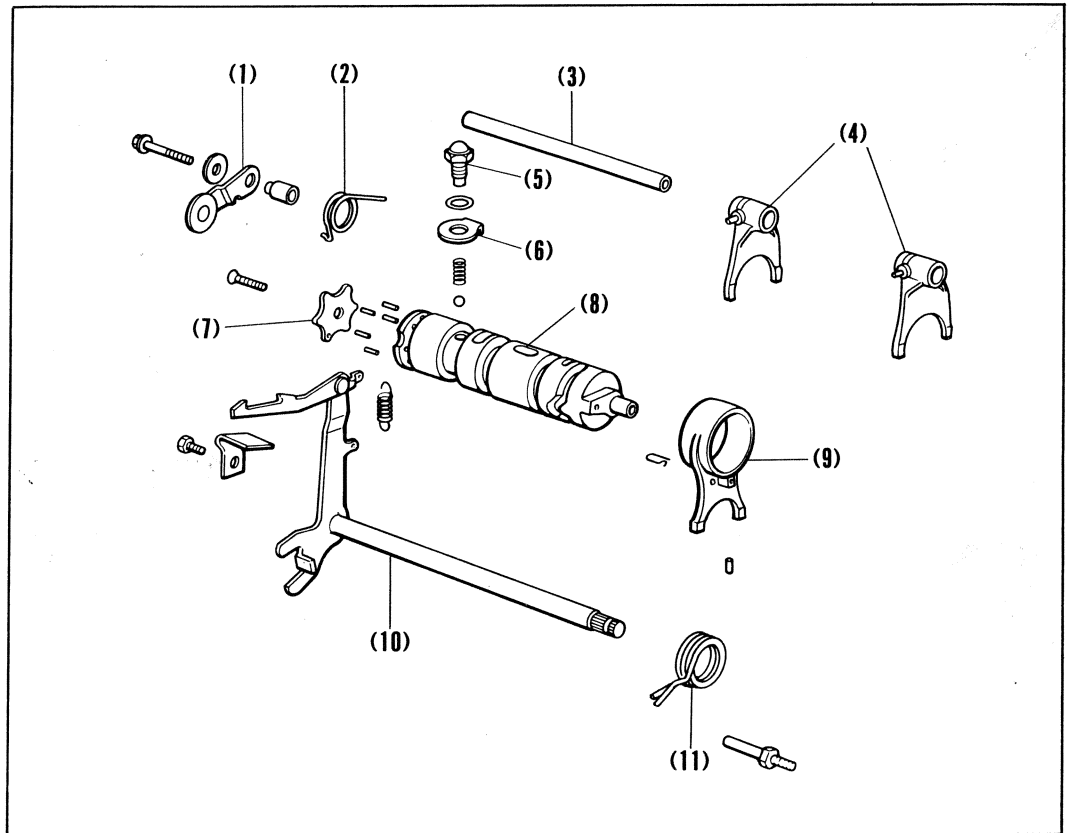


## 8. GEARSHIFT MECHANISM

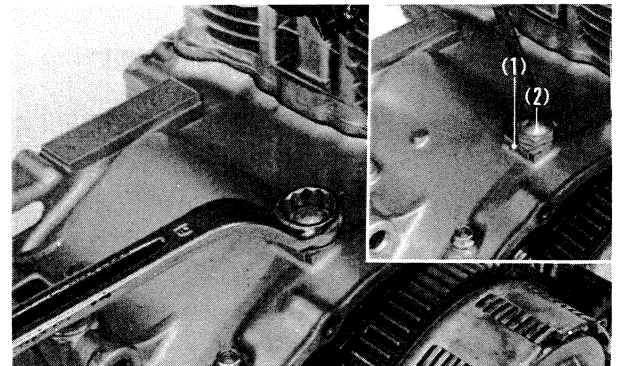
Fig. 4-84

- (1) Shift drum stopper
- (2) Shift drum stopper spring
- (3) Shift fork guide shaft
- (4) Gear shift fork A
- (5) Shift drum guide screw
- (6) 12 mm lock washer
- (7) Drum stopper cam plate
- (8) Gearshift drum
- (9) Gearshift fork B
- (10) Gearshift spindle
- (11) Gearshift return spring

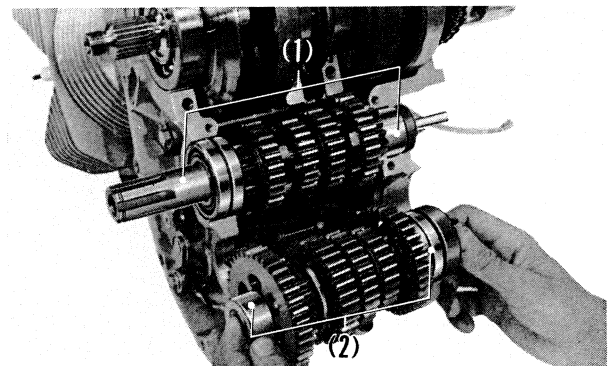


## Disassembly

1. Remove the engine.
2. Straighten the locking lug of the 12 mm lock washer and remove the shift drum guide screw. Then remove the neutral stop spring and #10 steel ball.

Fig. 4-85 (1) 12 mm lock washer  
(2) Shift drum guide screw

3. Remove the lower crankcase.  
Before performing this job, remove the oil filter rotor (page 50) and clutch assembly (page 47).
4. Remove the transmission mainshaft and countershaft.

Fig. 4-86 (1) Mainshaft  
(2) Countershaft