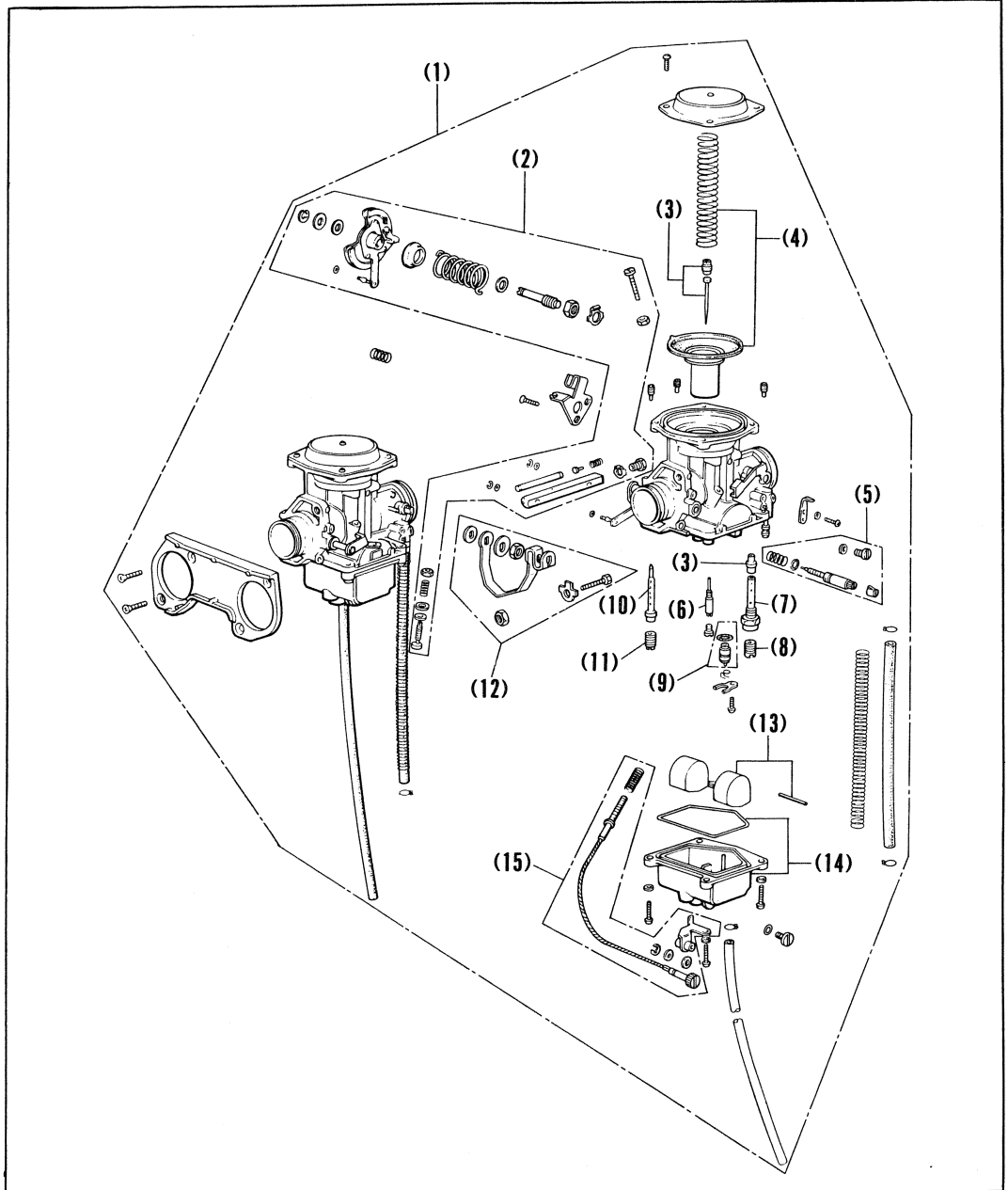


## 10. CARBURETOR

Fig. 4-103

- (1) Carburetor assy.
- (2) Link set
- (3) Jet needle set
- (4) Vacuum piston set
- (5) Screw set A
- (6) Slow jet
- (7) Needle jet holder
- (8) Main jet
- (9) Float valve set
- (10) Main nozzle
- (11) Primary main jet
- (12) Connector joint set
- (13) Float set
- (14) Float chamber set
- (15) Screw set B

**Removal**

To remove the carburetor, refer to the "Engine removal" item (page 32.)

1. Disconnect the throttle cables from the carburetor stay.

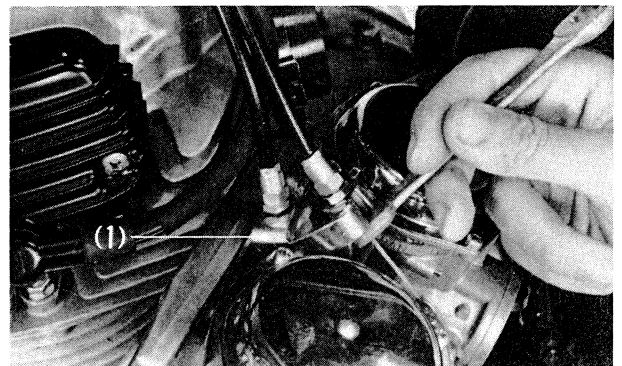


Fig. 4-104 (1) Carburetor stay