

Installation

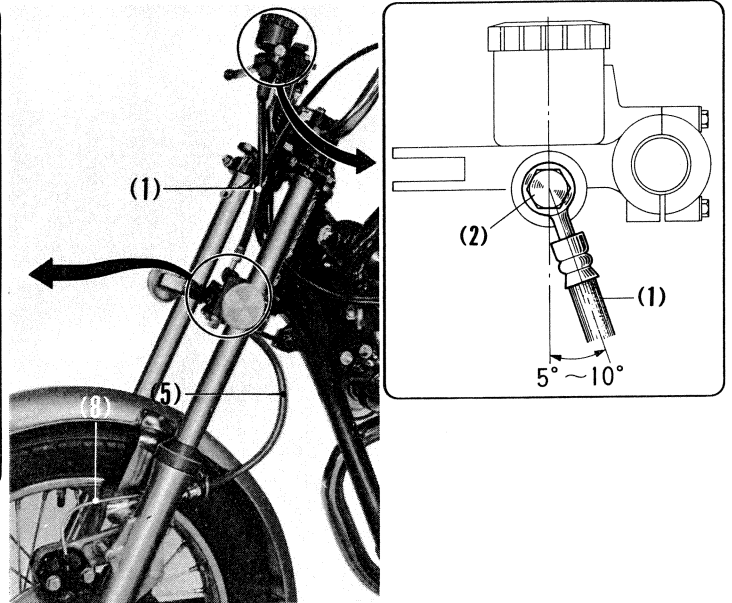
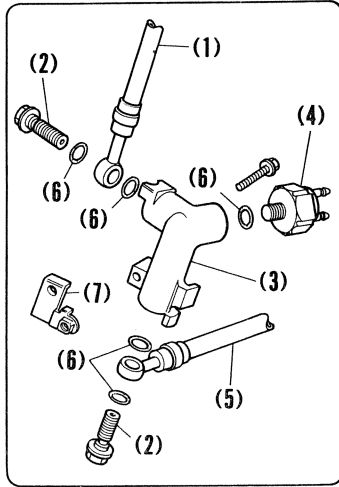
To install, reverse the removal procedures paying attention to the following:

1. Connect the pipes as shown in Fig. 5-25.

2. After installing the front disc brake, fill the master cylinder with DOT 3 brake fluid and bleed it completely. (See page 26.)

Fig. 5-25

- (1) Front brake hose B
- (2) Oil bolt
- (3) Three-way joint
- (4) Stop switch
- (5) Front brake hose A
- (6) Oil bolt washer
- (7) Three-way joint holder
- (8) Oil tube



Disassembly

Caliper

1. Remove the caliper assembly.
2. Remove the caliper setting bolts and the caliper assembly can be separated into the calipers A and B. (When separating the assembly with it installed to the front wheel, disconnect the oil pipe.)

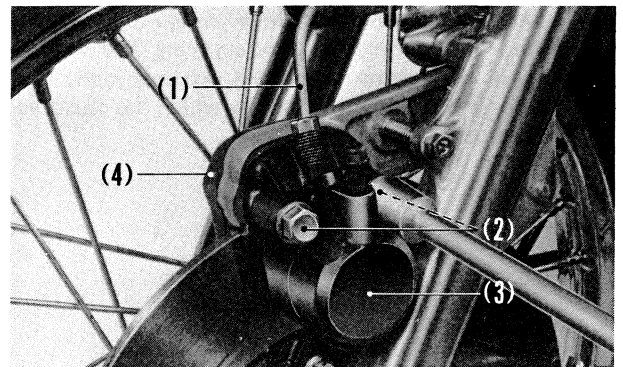


Fig. 5-26 (1) Oil pipe
(2) Caliper setting bolts
(3) Caliper A
(4) Caliper B

3. Pull out the cotter pin and detach the pad B from the caliper B.
4. Give a tap to the head of the caliper A to detach the pad A.

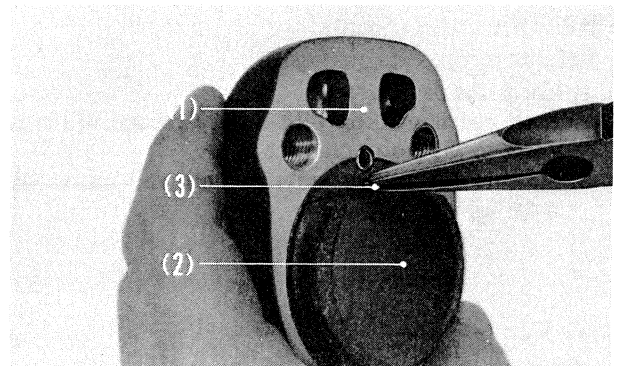


Fig. 5-27 (1) Caliper B
(2) Pad B
(3) Cotter pin