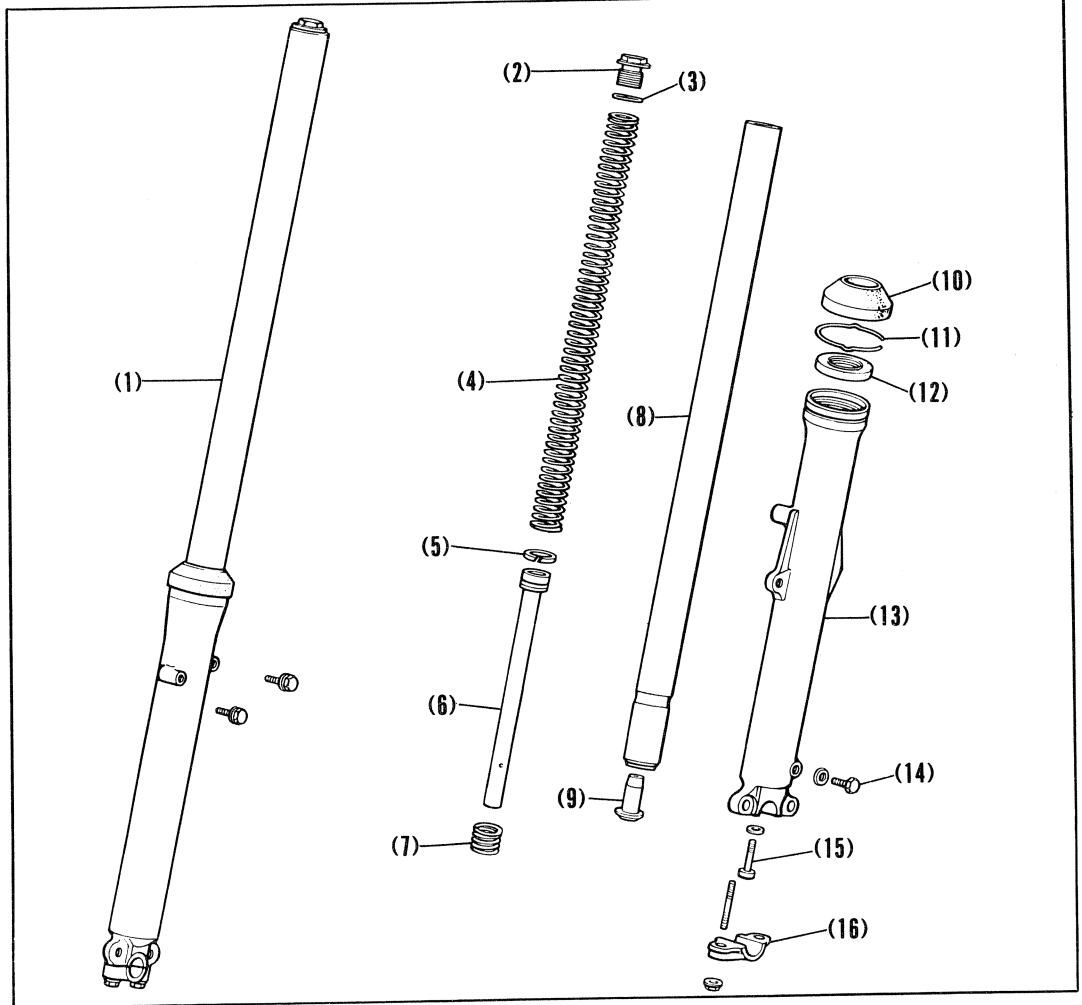


**5. FRONT SUSPENSION**

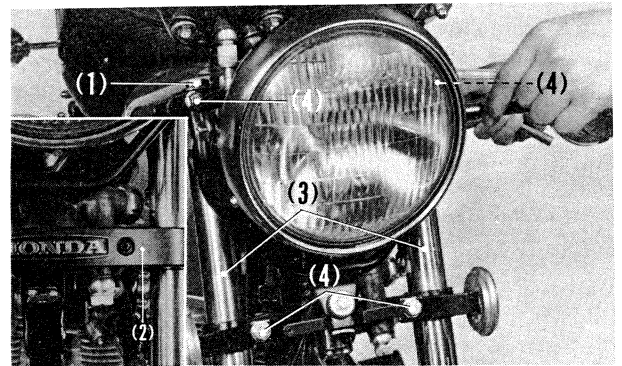
**Fig. 5-55**

- (1) Front fork assy.
- (2) Front fork bolt
- (3) O-ring
- (4) Front suspension spring
- (5) Piston ring
- (6) Bottom pipe
- (7) Front rebound spring
- (8) Front fork pipe
- (9) Oil lock piece
- (10) Front fork dust seal
- (11) Oil seal stopper ring
- (12) 33 x 46 x 10.5 oil seal
- (13) Front fork bottom case
- (14) Oil drain bolt
- (15) 8 mm socket bolt
- (16) Front axle holder



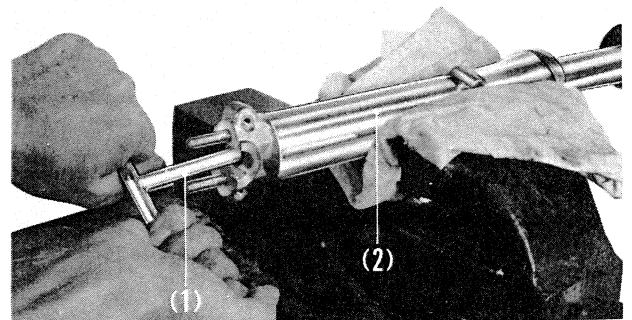
**Disassembly**

1. Loosen the front fork bolts before removing the forks.
2. Remove the front wheel.
3. Remove the caliper assembly and front fender.
4. Remove the front emblem. Loosen the bolts (4) and pull the front forks downward.



**Fig. 5-56** (1) Front fork bolts (2) Front emblem (3) Front forks (4) Bolts

5. Remove the front fork bolts and drain front shock absorber oil.
6. With each front fork bottom pipe held in a vice, remove the socket bolt using the Allen head wrench (Tool No. 07917-3230000) and separate the pipe from the bottom case.



**Fig. 5-57** (1) Allen head wrench (2) Front fork bottom case