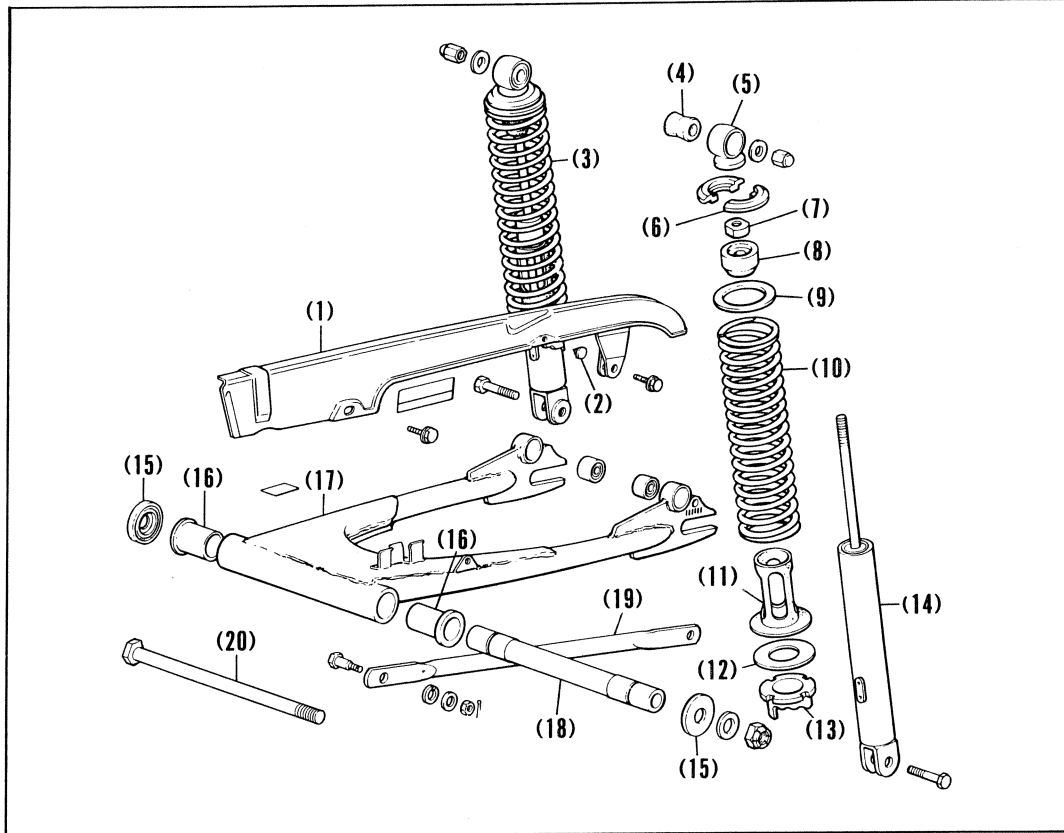


7. REAR SHOCK ABSORBERS AND REAR FORK

Fig. 5-72

- (1) Drive chain case
- (2) Chain case plug
- (3) Rear shock absorber assy.
- (4) Joint rubber
- (5) Upper joint
- (6) Spring set stopper
- (7) 9 mm lock nut
- (8) Rear shock absorber stopper rubber
- (9) Rear shock absorber spring upper seat
- (10) Rear shock absorber spring
- (11) Spring guide
- (12) Rear shock absorber spacer
- (13) Spring adjuster
- (14) Rear damper
- (15) Dust seal cup
- (16) Rear fork pivot bushing
- (17) Rear fork
- (18) Rear fork center collar
- (19) Rear brake stopper arm
- (20) Rear fork pivot bolt



Disassembly

1. Remove the exhaust mufflers.
2. Remove the nut (4), side grip (left side only) and bolt (3). Then remove each rear shock absorber.

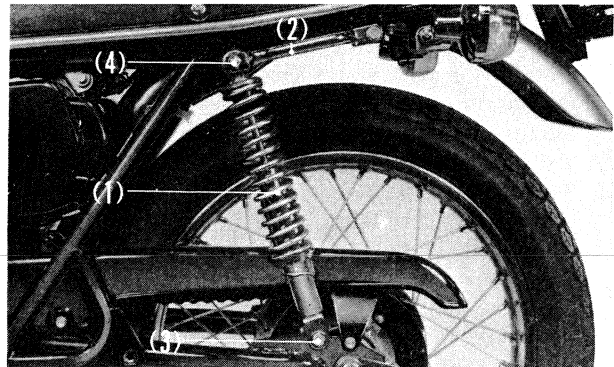


Fig. 5-73 (1) Rear shock absorber
(2) Side grip (left side only)
(3) Bolt
(4) Nut

3. Remove the bolts (2) and remove the drive chain case.

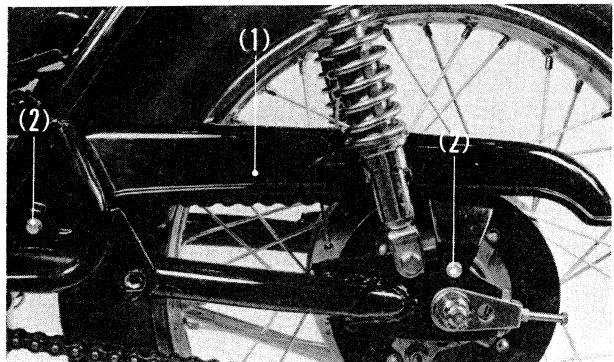


Fig. 5-74 (1) Drive chain case