

### Assembly

To assemble, reverse the disassembly procedures, paying attention to the following:

1. When the upper joints have been removed, apply a coat of thread locking agent to the tapped portion for the rear dampers.
2. Compress each rear shock absorber spring, pull the upper joint upward and secure with the spring seat stops.

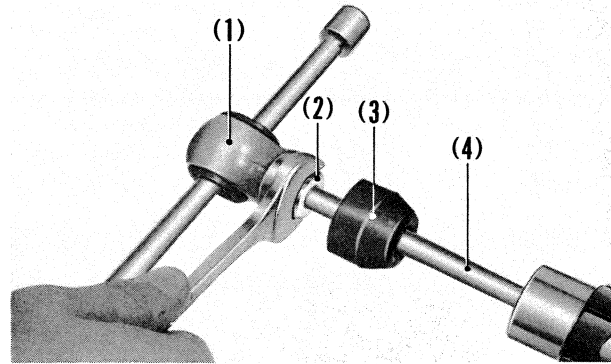


Fig. 5-79 (1) Upper joint  
(2) 9 mm lock nut  
(3) Stopper rubber  
(4) Rear damper

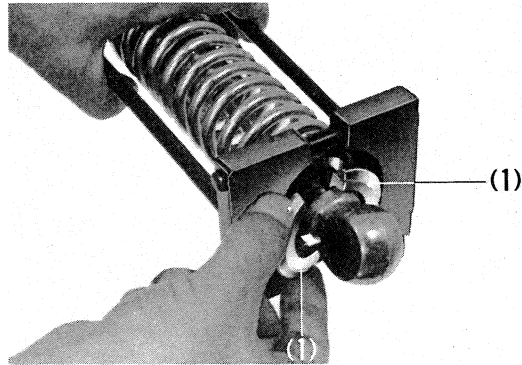


Fig. 5-80 (1) Spring seat stops  
(2) Rear shock absorber compressor

3. Apply a coat of grease to the inside and outside of the rear fork center collar and to the inside of the rear fork bushing. Install the right and left dust seal caps and install the rear fork to the frame using the rear fork pivot bolt. Apply a coat of grease to the rear fork pivot bolt.

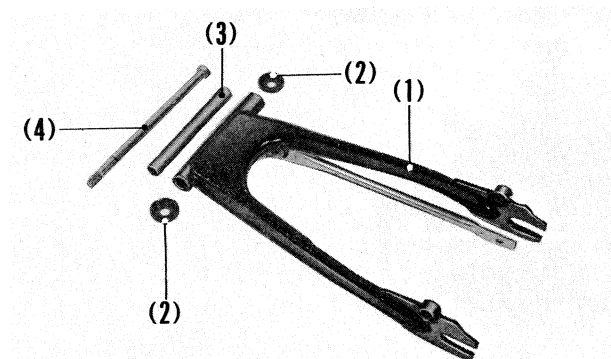


Fig. 5-81 (1) Rear fork  
(2) Dust seal caps  
(3) Rear fork center collar  
(4) Pivot bolt

4. Install the right and left rear shock absorbers so that the adjusters (1) are in the same position. The standard installation position is the 1st groove mark.

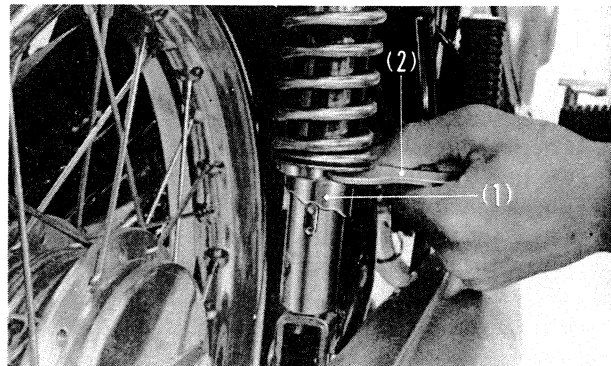


Fig. 5-82 (1) Adjuster  
(2) Pin spanner