

Wire harness

1. Connect the wire harness as shown below.

Hold the wire harness with one wire band at the position **20–30 mm (0.8–1.2 in.)** from the rear side of the fuel tank rear stay and with the other band at the position **10–20 mm (0.4–0.8 in.)** from the front side of the upper tube cross plate.

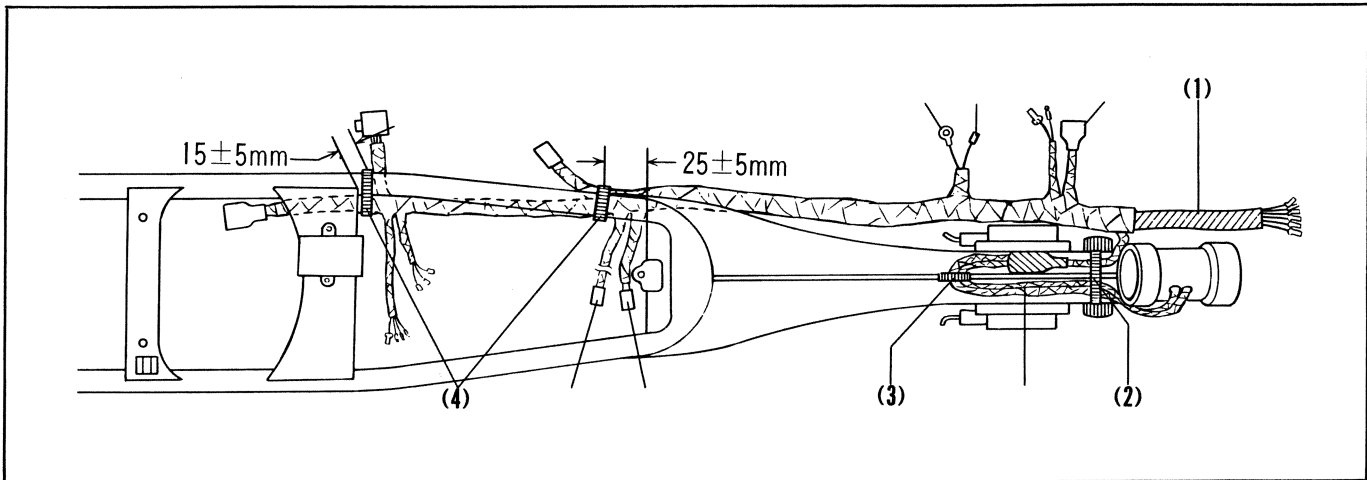


Fig. 5-90 (1) Wire harness (2) Wire harness clip A (3) Wire harness clip B (4) Wire band