

5. Spark plugs

Check the spark plug electrodes for wear, improper gap and fouling. Also check the insulator of each plug for breakage.

1. Clean the plugs, if foul, with a plug cleaner or a wire brush.

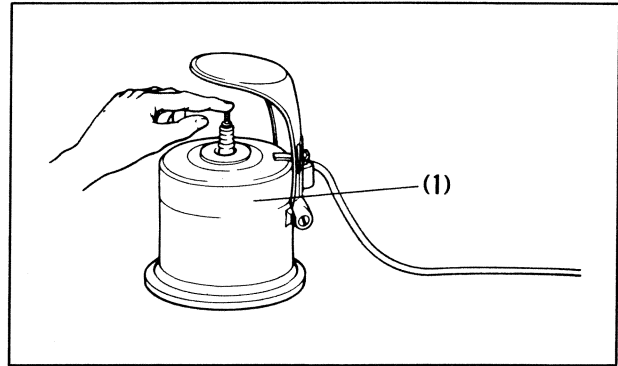


Fig. 6-19 (1) Plug cleaner

2. Measure the plug gap with a feeler gauge. If it is out of specification, adjust it by bending the side electrode.

Specification: **0.7–0.8 mm**
(0.028–0.032 in.)

3. If the insulators or gaskets are broken or deformed, replace.

Specified plug: **B8ES (NGK)**
W24ES (ND)

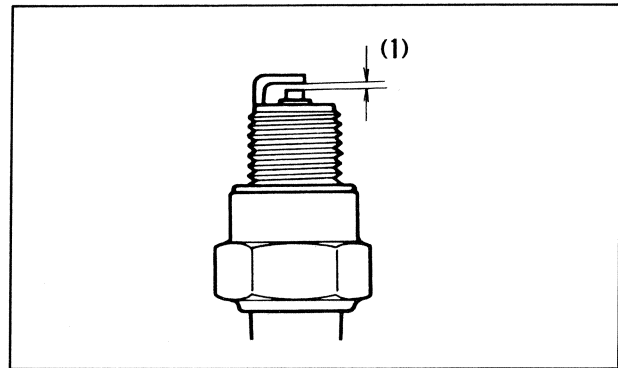


Fig. 6-20 (1) Plug gap