

4. Check the rubber pad for deterioration or wear.
When the rubber pad wear is excessive so that it is worn down to the wear line, replace it with a new one.

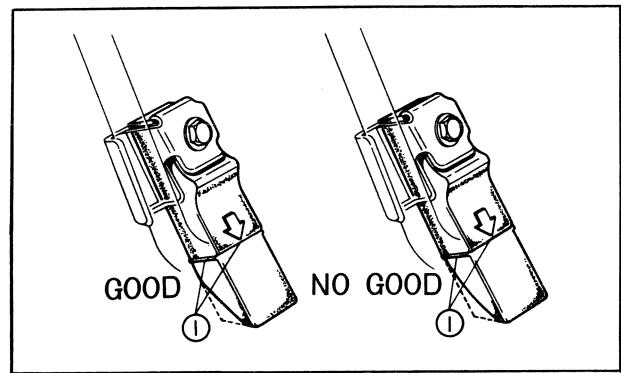


Fig. T-4 (1) Wear line

Rubber pad replacement

1. Remove the 6 mm bolt; separate the rubber pad from the bracket at the side stand.
2. After making sure the collar is installed, put a new rubber pad in place in the bracket with the arrow mark pointing toward out.

NOTE:

Use rubber pad having the mark "OVER 260 lbs ONLY".

3. Secure the rubber pad with the 6 mm bolt.

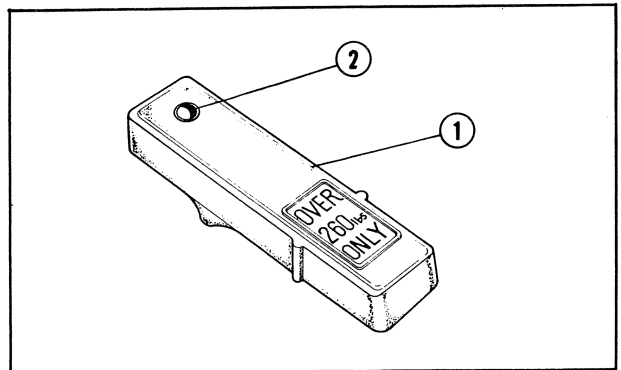


Fig. T-5 (1) Rubber pad
(2) Collar

3. MAINTENANCE SCHEDULE

Some additions occurred in the MAINTENANCE SCHEDULE, of which details are as shown immediately below:

<p>MAINTENANCE SCHEDULE This maintenance schedule is based upon average riding conditions. Machines subjected to severe use, or ridden in unusually dusty areas, require more frequent servicing.</p>	<p>INITIAL SERVICE PERIOD</p>	<p>REGULAR SERVICE PERIOD Perform at every indicated month or mileage interval, whichever occurs first.</p>			
		<p>1 month 500 miles</p>	<p>3 months 1,500 miles</p>	<p>6 months 3,000 miles</p>	<p>12 months 6,000 miles</p>
<p>* SIDE STAND—Check installation, operation, deformation, damage and wear.</p>				○	

Items marked * should be serviced by an authorized Honda dealer, unless the owner has proper tools and is mechanically proficient. Other maintenance items are simple to perform and may be serviced by the owner.