

- To remove the A.C. generator, remove the rotor set bolt and screw in the "Rotor Puller" (Tool No. 07933-2160000) as shown.

Assembly

Assembly is the reverse procedure of removal. However, observe the following assembly notes:

- Before installing the generator rotor, make sure that the woodruff key is properly seated. Tighten to specified torque while holding the rotor by hand or with a suitable tool.

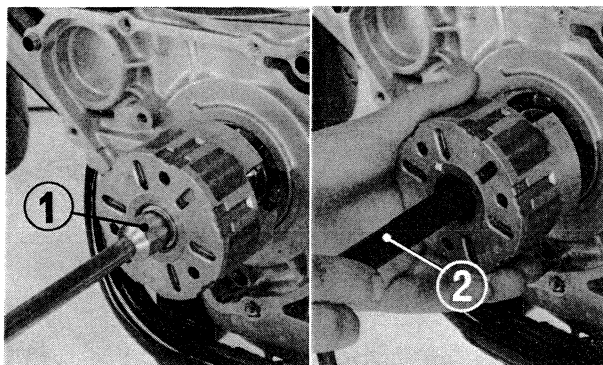


Fig. 12 (1) Rotor set bolt (2) Rotor Puller

5. RIGHT CRANKCASE COVER AND CLUTCH Refer to page 47

6. OIL PUMP AND OIL FILTER ROTOR Refer to page 50

7. KICK STARTER AND LOWER CRANKCASE

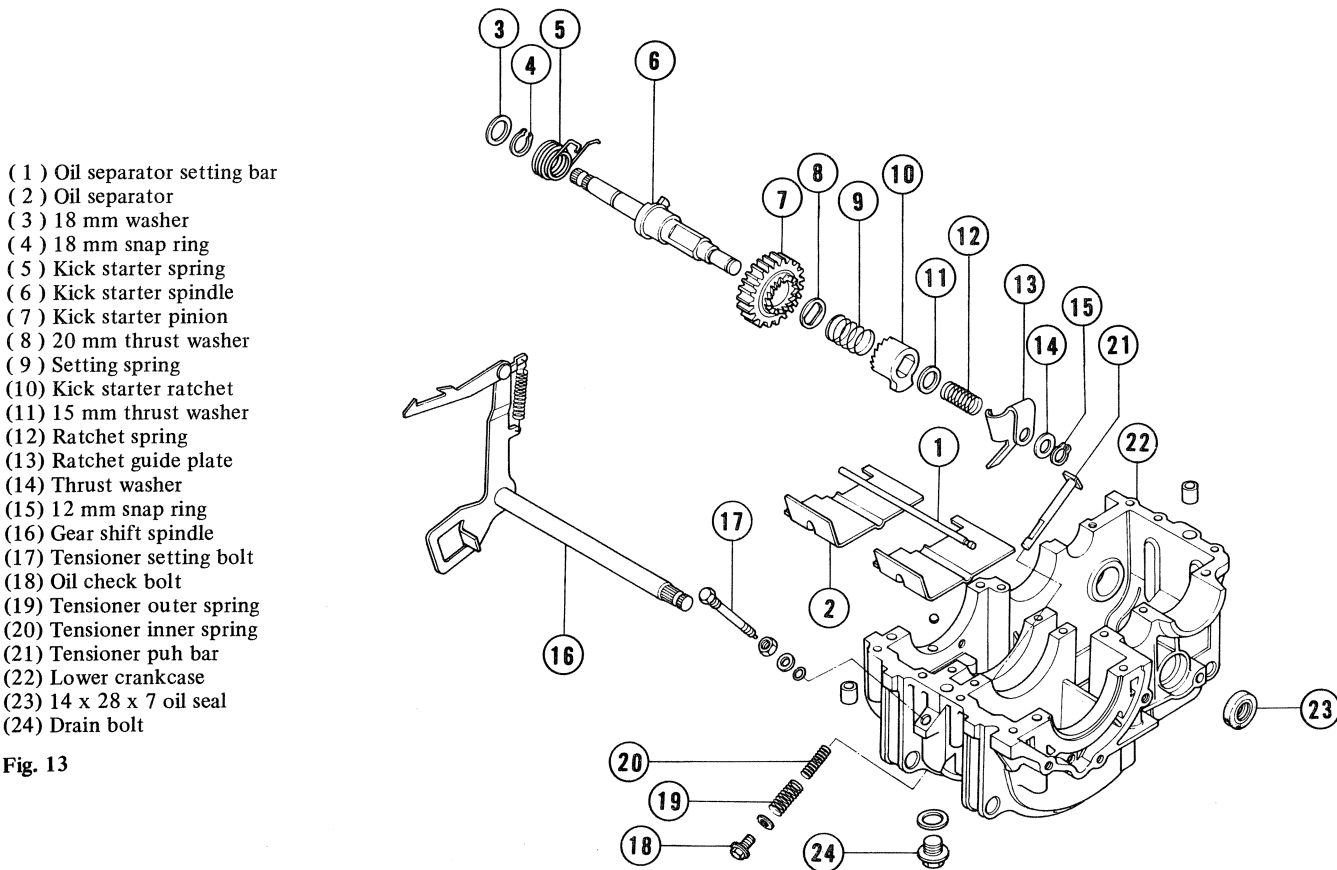


Fig. 13

Refer to page 53 for disassembly, inspection and assembly.

- Assemble the parts in the order named.
- Install the kick starter ratchet with the kick starter spindle placed in the position shown in Fig. 14.

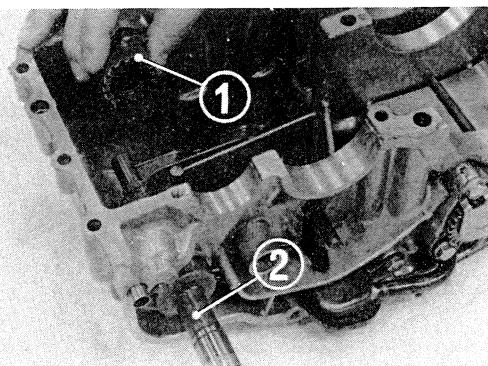


Fig. 14 (1) Kick starter ratchet (2) Kick starter spindle