

8. GEARSHIFT MECHANISM AND TRANSMISSION

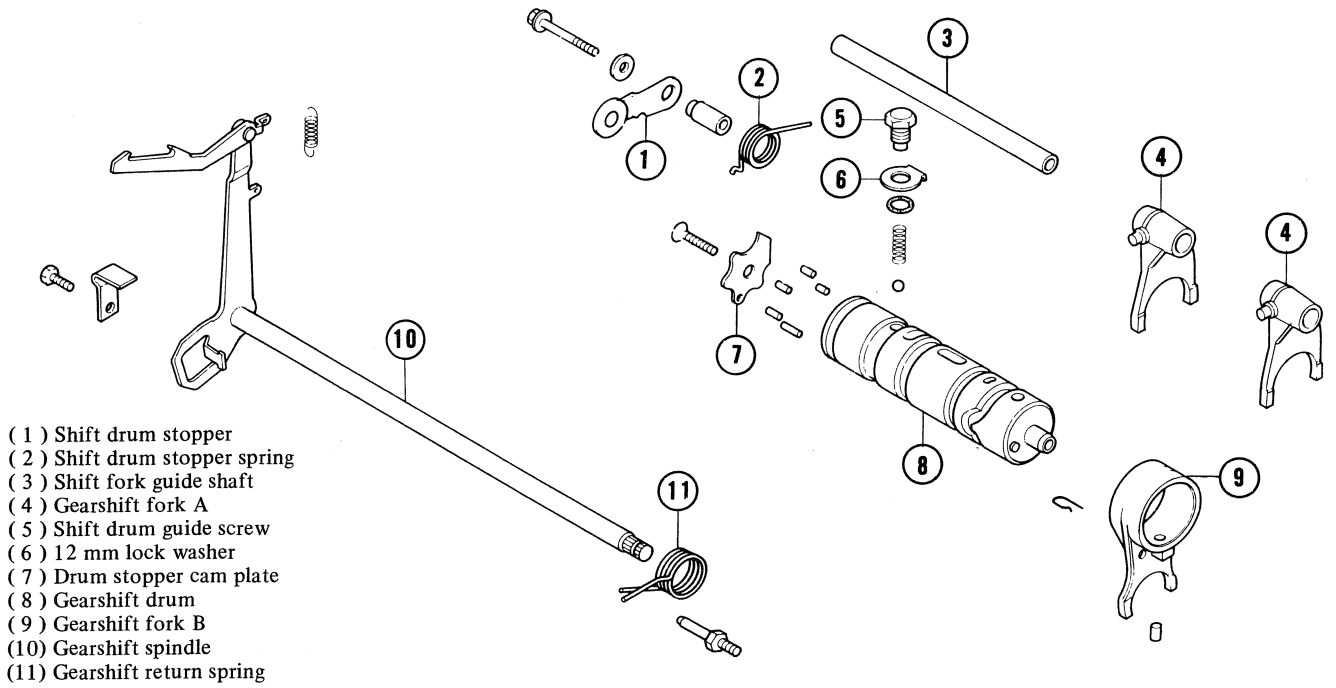
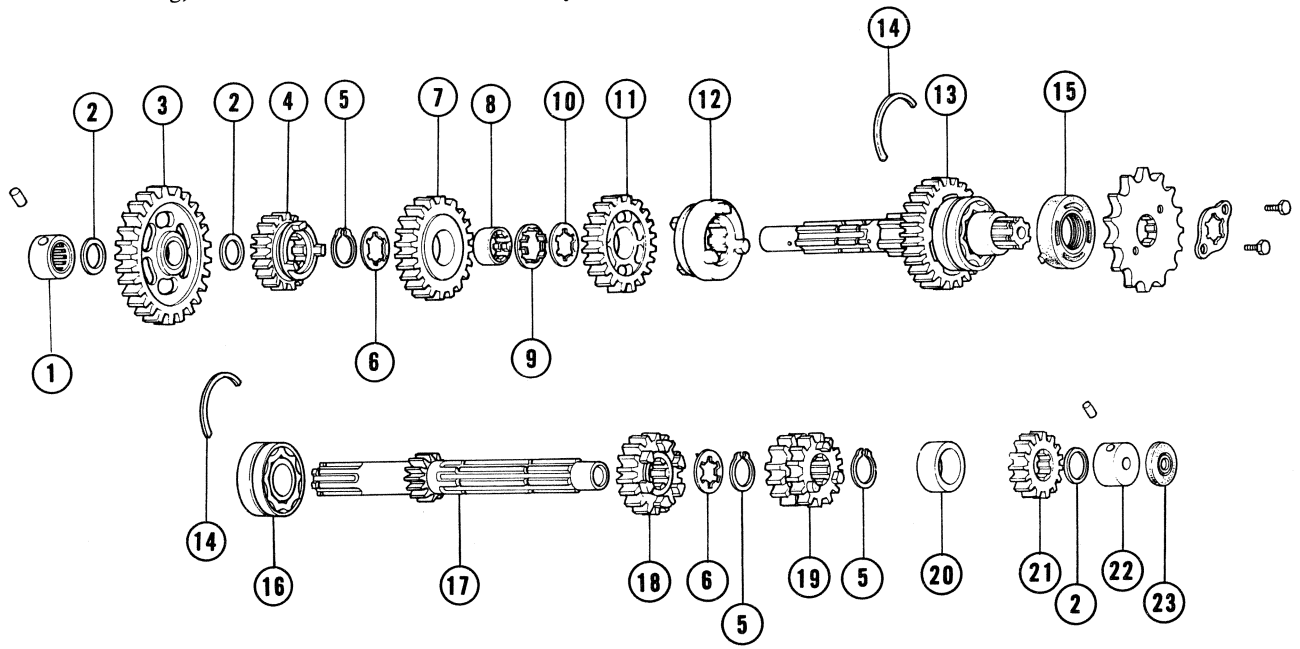


Fig. 15

1. Refer to page 57 for disassembly, inspection and assembly.  
 For assembling, refer also to the sketch immediately below.



- (1) 20 mm needle roller bearing  
 (2) 20 mm thrust washer  
 (3) C-1st gear  
 (4) C-5th gear  
 (5) 25 mm snap ring  
 (6) 25 mm thrust washer  
 (7) C-3rd gear  
 (8) 28 mm splined bushing

- (9) 25 mm lock washer  
 (10) 25 mm thrust washer B  
 (11) C-4th gear  
 (12) Countershaft shifter  
 (13) Transmission countershaft  
 (14) 52 mm bearing set ring  
 (15) 34 x 52 x 13.5 x 15.5 oil seal  
 (16) 520S HS ball bearing

- (17) Transmission main shaft  
 (18) M-5th gear  
 (19) M-3rd gear  
 (20) Collar  
 (21) M-2nd gear  
 (22) 20 mm needle roller bearing  
 (23) 8 x 34 x 8 oil seal

Fig. 16