

9. CRANKSHAFT AND UPPER CRANKCASE See page 55
 10. CARBURETOR

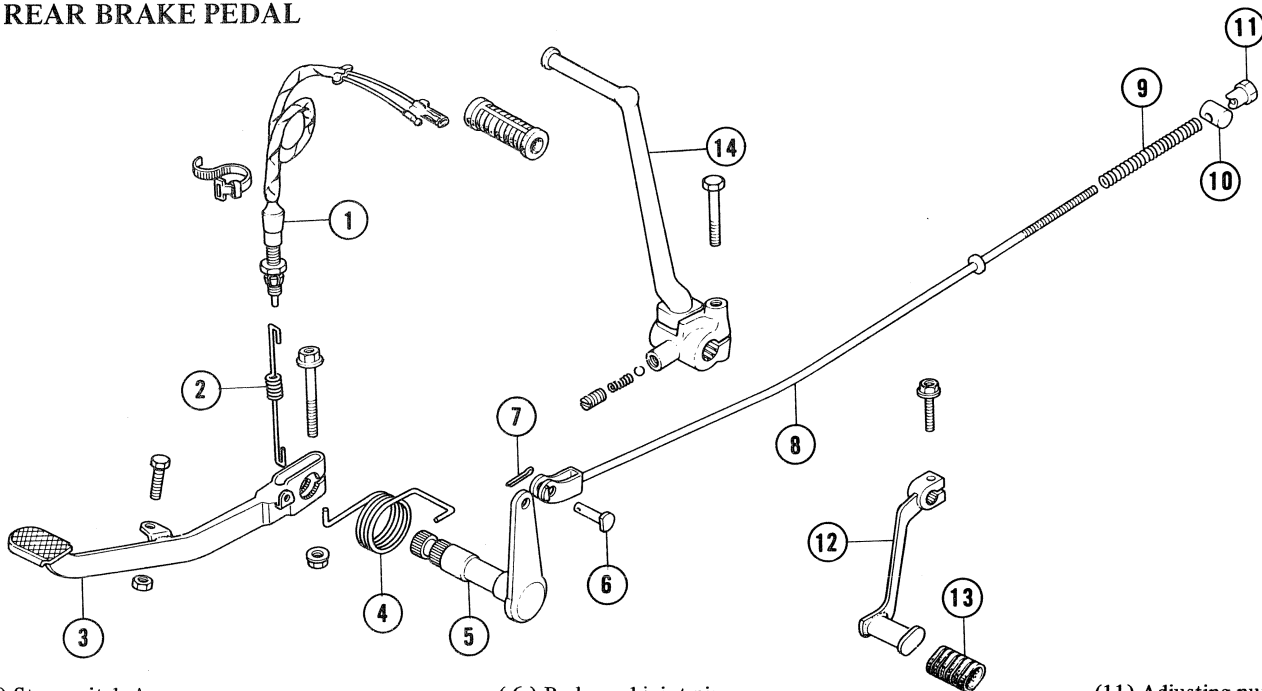
Refer to page 63 for disassembly, inspection, adjustment and assembly. For carburetor adjustments, refer also to the instructions given in the table on the right.

Item		
Setting No.		759A
Main jet	Primary	# 68
	Secondary	#110
Slow jet		# 35
Jet needle setting		2nd
Pilot screw opening		2 (Standard)
Float level		18.5 mm

IV. FRAME

1. FRONT WHEEL AND FRONT BRAKE See page 68
 2. REAR WHEEL AND REAR BRAKE See page 78

1. REAR BRAKE PEDAL



- (1) Stop switch Assy
- (2) Stop switch spring
- (3) Brake pedal
- (4) Brake pedal spring
- (5) Rear brake pivot shaft
- (6) Brake rod joint pin
- (7) Cotter pin
- (8) Rear brake rod
- (9) Brake rod spring
- (10) Rear brake arm joint
- (11) Adjusting nut
- (12) Change pedal
- (13) Change pedal rubber

Fig. 17

Disassembly

1. Remove the stopper switch spring.
2. Remove the kick starter pedal.
3. Remove the right foot peg.

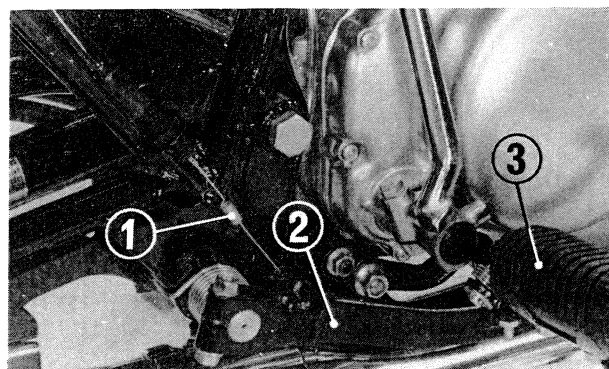


Fig. 18 (1) Stopper switch spring
 (2) Kick starter pedal
 (3) Right foot peg