

- 3. HANDLEBARSee page 81
- 4. FRONT SUSPENSIONSee page 85
- 5. STEERING STEMSee page 87
- 6. REAR SHOCK ABSORBERS AND REAR SWING ARM ...See page 90

- (1) Drive chain guard
- (2) Chain guard plug
- (3) Rear shock absorber
- (4) Shock absorber bushing
- (5) Upper joint
- (6) Spring set stopper
- (7) 9 mm lock nut
- (8) Rear shock absorber stopper rubber
- (9) Rear shock absorber spring upper seat
- (10) Rear shock absorber spring
- (11) Rear shock absorber spacer
- (12) Spring adjuster
- (13) Rear damper
- (14) Dust seal cup
- (15) Rear fork pivot bush
- (16) Rear swing arm
- (17) Rear fork center collar
- (18) Rear brake stopper arm
- (19) Swing arm pivot bolt

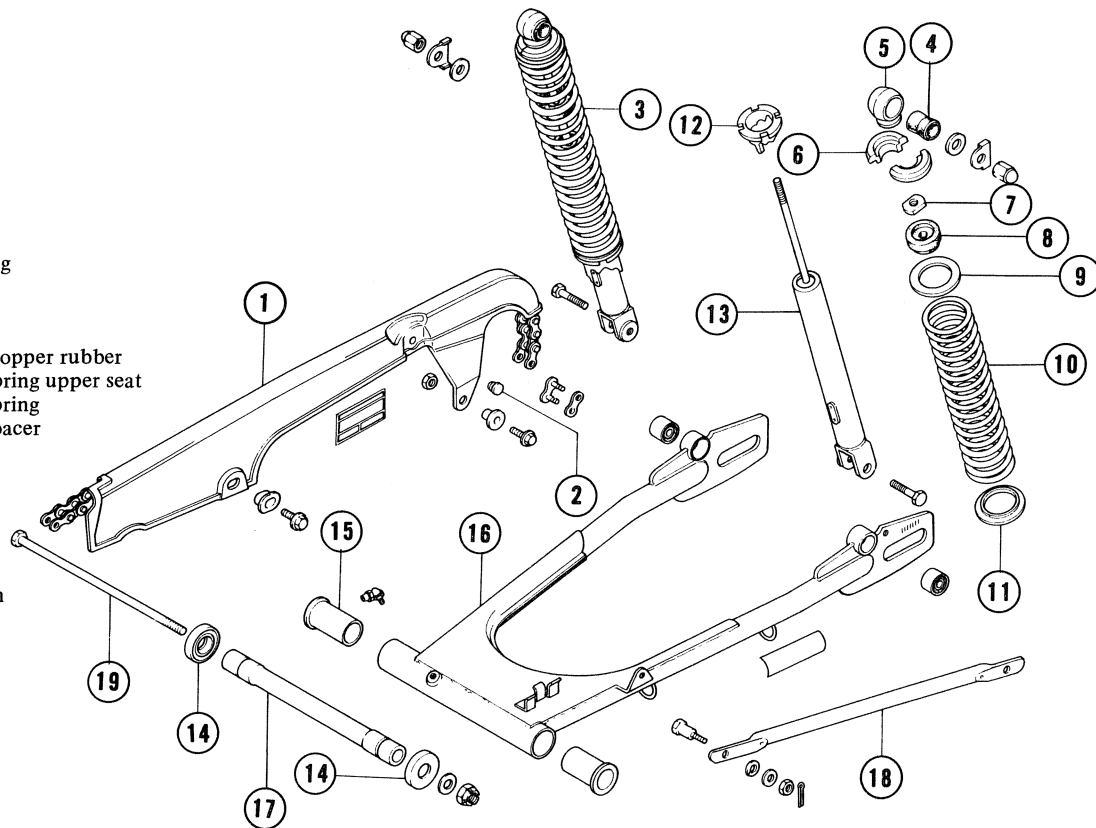


Fig. 23

Removal

1. Raise the rear of the motorcycle by placing a block under the engine.
2. Open the seat and remove the seat cowl by removing the three bolts (1).

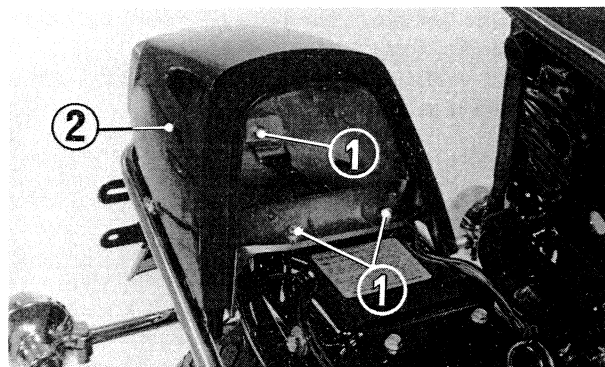


Fig. 24 (1) Bolts
(2) Seat cowl

3. Remove the three bolts (1) and take out the rear fender stay.

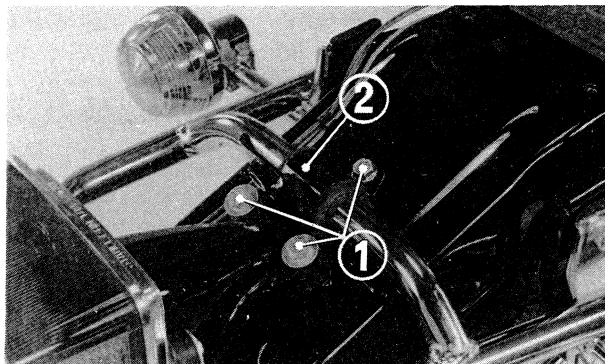


Fig. 25 (1) Bolt
(2) Rear fender stay