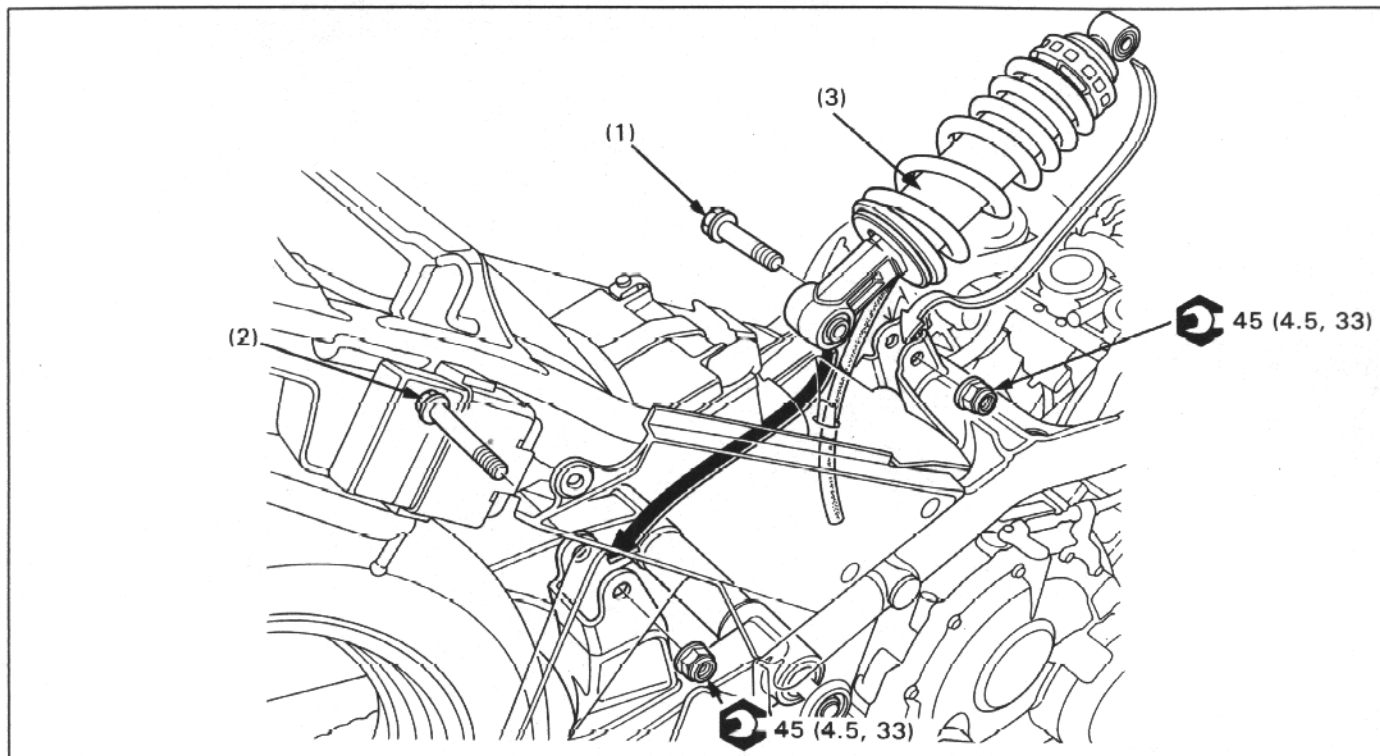


# SHOCK ABSORBER REMOVAL/INSTALLATION



**NOTE**

- Put the motorcycle on it center stand.
- Before removing the shock absorber for disassembly, adjust the shock absorber to position I (for lightest loads) before removing the shock absorber from the frame.

**REQUISITE SERVICE**

- Fuel tank removal/installation (page 2-4)

PROCEDURE		Q'ty	REMARKS
<b>REMOVAL ORDER</b>			
(1)	Shock absorber mounting bolt (upper)	1	• Installation is in the reverse order of removal. • At installation, install them from the left side.  <b>NOTE:</b> • Remove it upwards from the frame. • Install with the drain tube forward.
(2)	Shock absorber mounting bolt (lower)	1	
(3)	Shock absorber assembly	1	