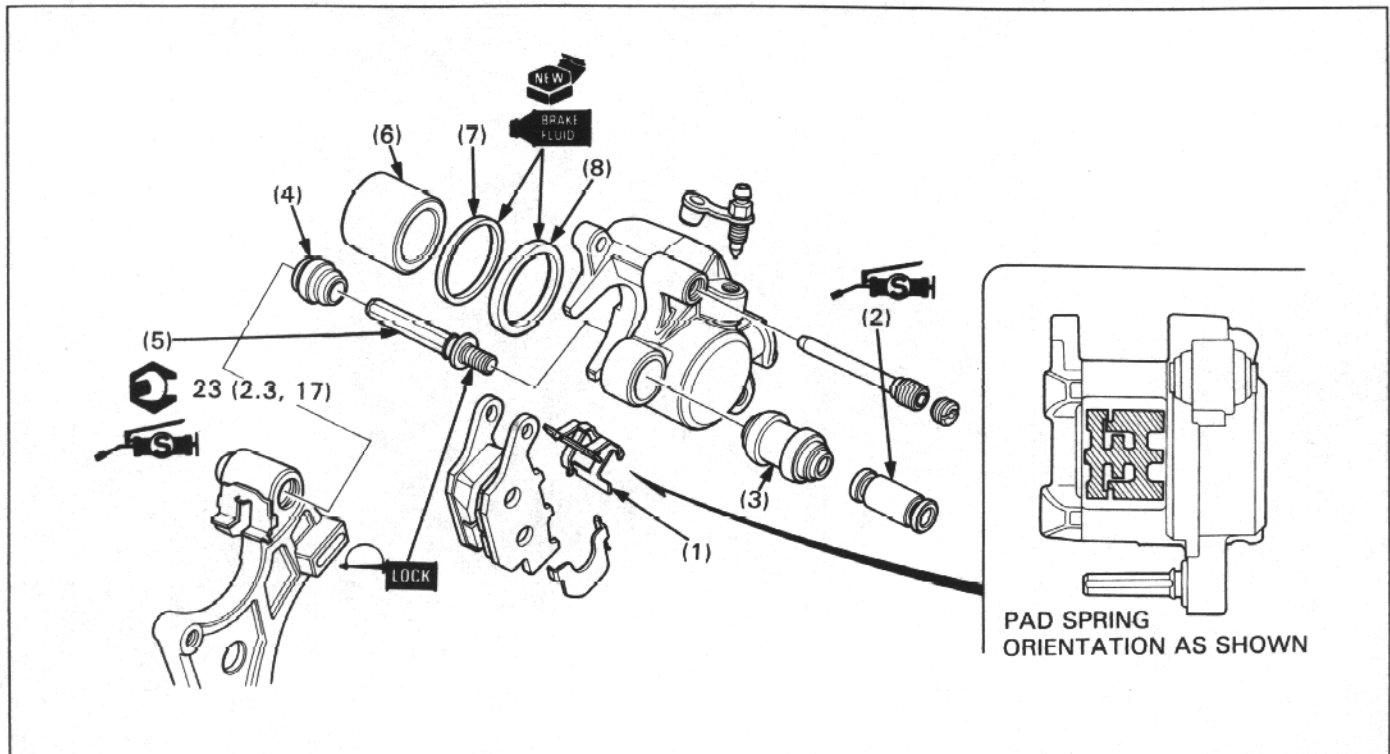


REAR BRAKE CALIPER DISASSEMBLY/ASSEMBLY



WARNING

- Inhaled asbestos fibers have been found to cause respiratory disease and cancer. Never use an air hose or dry brush to clean brake assemblies. Use an OSHA-approved vacuum cleaner or alternate method approved by OSAH designed to minimize the hazard caused by airborne asbestos fibers.

REQUISITE SERVICE

- Rear brake pad removal/installation (page 13-3)
- Brake fluid replacement/air bleeding (section 17 of the Common Service Manual)
- Rear brake caliper removal/installation (page 13-5)

PROCEDURE	Q'ty	REMARKS
DISASSEMBLY ORDER		
(1) Pad spring	1	• Assembly is in the reverse order of disassembly. Note the spring direction as shown.
(2) Pivot collar	1	Apply silicone grease to the sliding surface.
(3) Pivot boot	1	
(4) Caliper pin bolt boot	1	Install into the bracket groove securely.
(5) Caliper pin bolt	1	Apply a locking agent to the threads and torque it. Apply silicone grease to the pin.
(6) Caliper piston	1	Install it with the opening toward the pad.
(7) Dust seal	1	CAUTION:
(8) Piston seal	1	• Be careful not to damage the piston sliding surface when removing seals.