

# CHARGING SYSTEM/ALTERNATOR

## UNIT INSPECTION

Remove the regulator/rectifier.

Inspect the regulator/rectifier unit by measuring the resistance between the terminals.

### NOTE

- There are two types of the regulator/rectifier as shown. Select the proper resistance chart.
- Resistance value will not be accurate if the probes touch your finger.
- Use the following recommended multimeter. Using another manufacturer's equipment may not allow you to obtain the specified values. This is due to the characteristic of semiconductors, which have different resistance value depending on the applied voltage.

#### SPECIFIC MULTITESTER:

- 07411-0020000 (KOWA Digital type)
  - KS-AHM-32-003 (KOWA Digital type; U.S.A. only)
  - 07308-0020001 (SANWA Analogue type)
  - TH-5H (KOWA Analogue type)
- Select the following range.  
**SANWA tester:** x kΩ  
**KOWA tester:** x 100 Ω

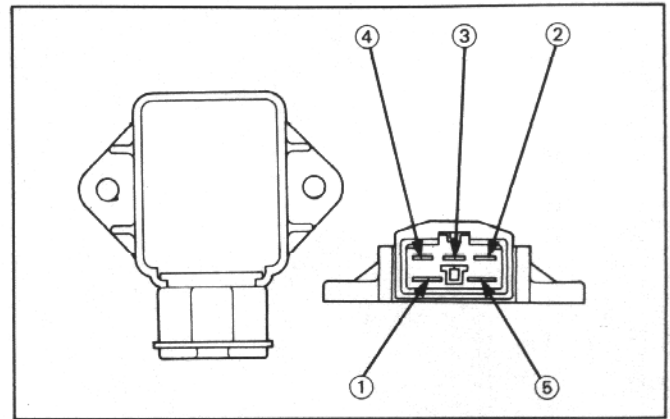
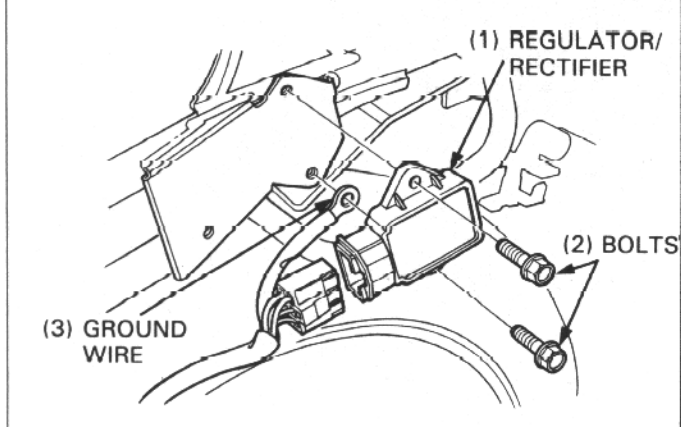
- When using the KOWA multimeter, remember that all readings should be multiplied by 100.
- An old, weak multimeter battery could cause inaccurate readings. Check the battery if the multimeter registers incorrectly.

Replace the regulator/rectifier unit if the resistance value between the terminals is abnormal.

Install the regulator/rectifier in the reverse order of removal.

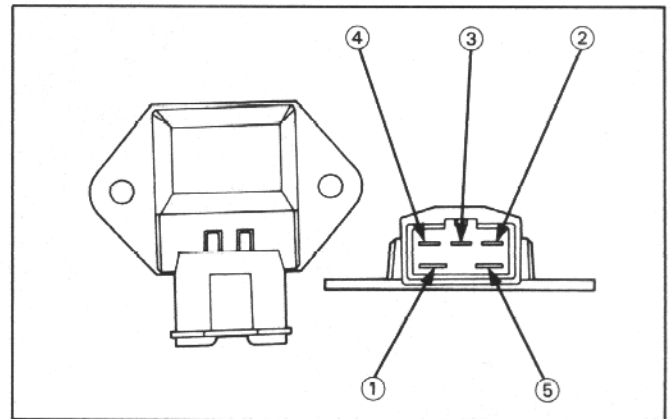
### NOTE

- Install the ground wire onto the regulator/rectifier lower mounting bolt properly as shown.



Unit: kΩ

	+	①	②	③	④	⑤
-						
①		∞	∞	∞	∞	∞
②		0.5-10	30-500	30-500	10-200	
③		0.5-10	30-500	30-500	10-200	
④		0.5-10	30-500	30-500	10-200	
⑤		1-20	0.5-10	0.5-10	0.5-10	



Unit: kΩ

	+	①	②	③	④	⑤
-						
①		∞	∞	∞	∞	∞
②		0.5-10	30-500	30-500	10-200	
③		0.5-10	∞	∞	∞	
④		0.5-10	∞	∞	∞	
⑤		1-20	0.5-10	0.5-10	0.5-10	