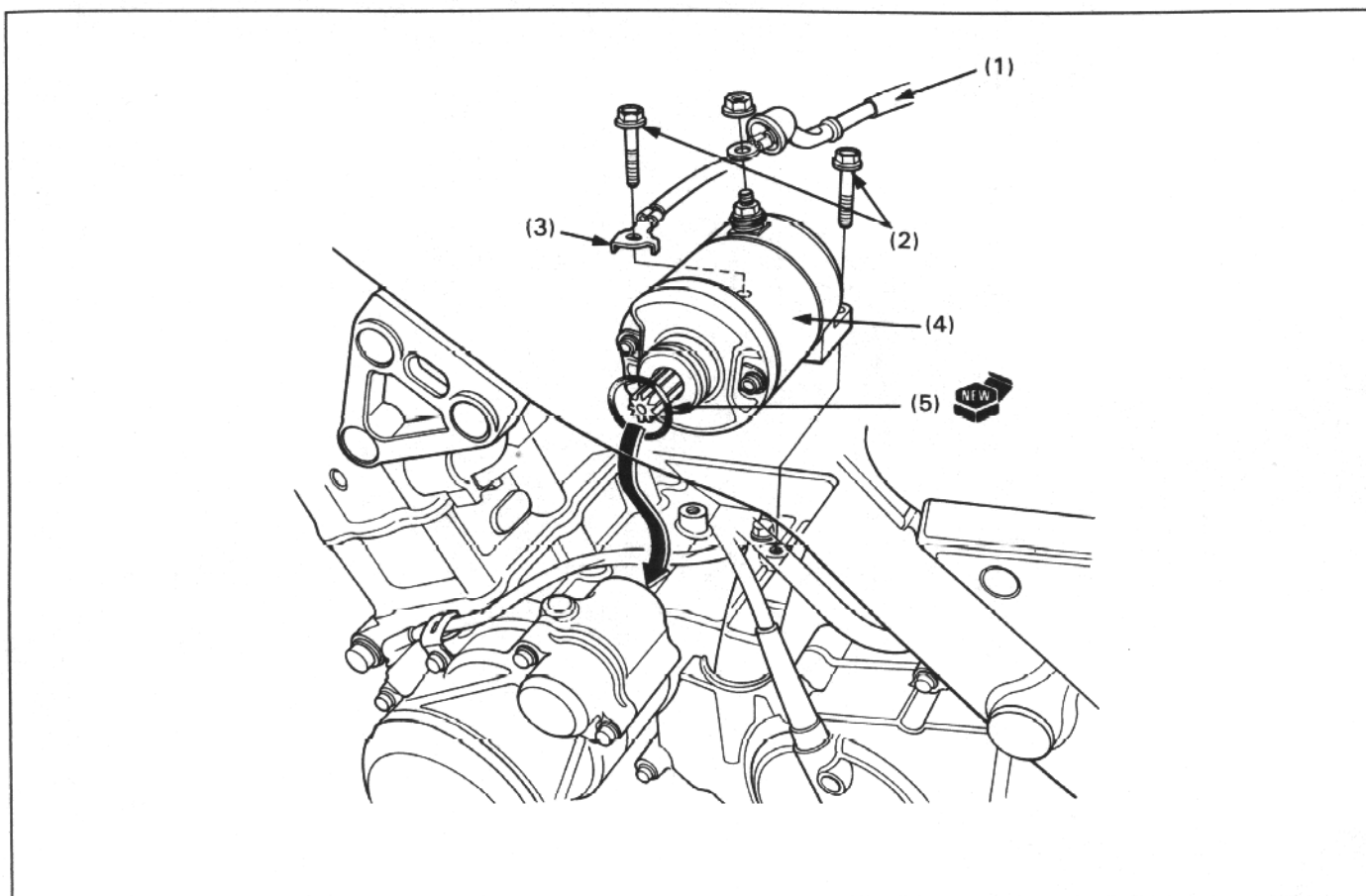


## STARTER MOTOR REMOVAL/INSTALLATION



**▲ WARNING**

- Turn the ignition switch OFF.

## REQUISITE SERVICE

- Fuel tank removal/installation (page 2-4)

| PROCEDURE                       | Q'ty | REMARKS  |
|---------------------------------|------|--|
| REMOVAL ORDER                   |      | • Installation is in the reverse order of removal. |
| (1) Starter motor cable         | 1    |  |
| (2) Starter motor mounting bolt | 2    |  |
| (3) Ground cable on engine      | 1    |  |
| (4) Starter motor               | 1    |  |
| (5) O-ring                      | 1    |  |