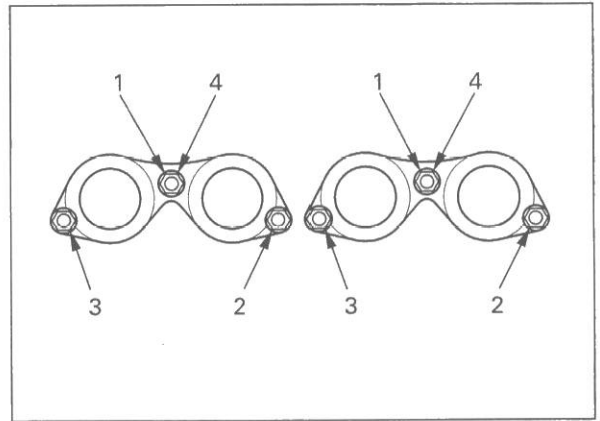


First tighten the exhaust pipe joint nuts to the specified torque.

NOTE:

Tighten the exhaust pipe joint nuts in numerical order shown in the illustration.

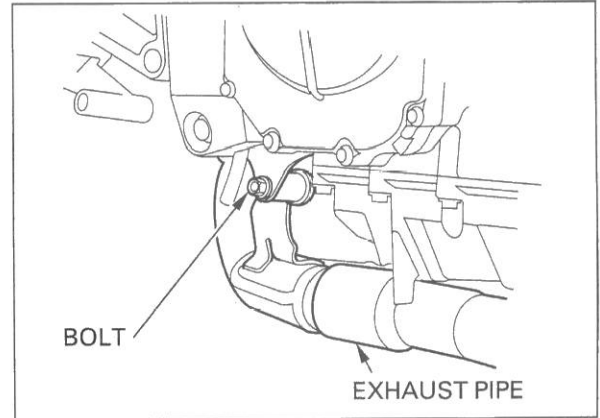
TORQUE: 20 N·m (2.0 kgf·m , 14 lbf·ft)



Install the exhaust pipe mounting bolt/nut and tighten the nut to the specified torque.

TORQUE: 22 N·m (2.2 kgf·m , 16 lbf·ft)

Install the muffler.



Install the radiator and tighten the mounting bolts.

Install the removed parts in the reverse order of removal.

