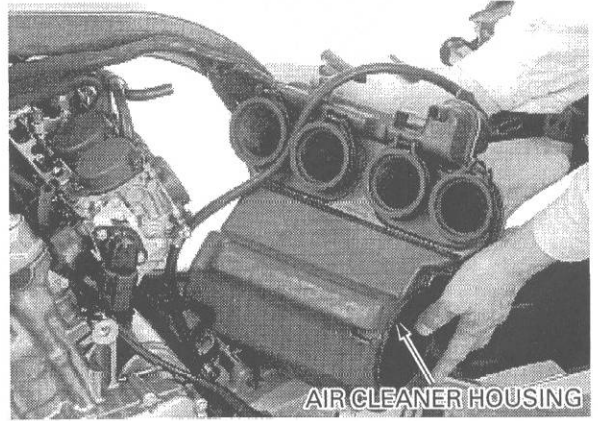
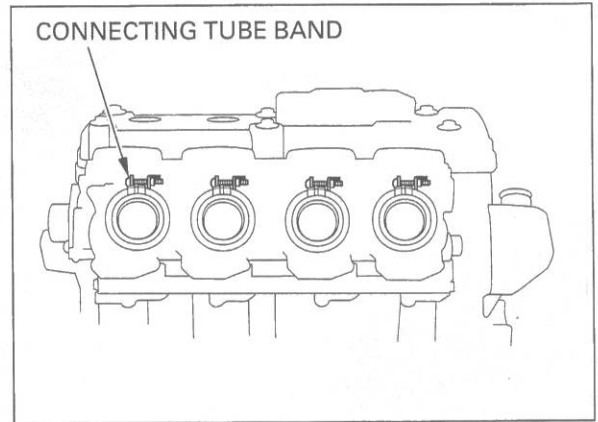


FUEL SYSTEM

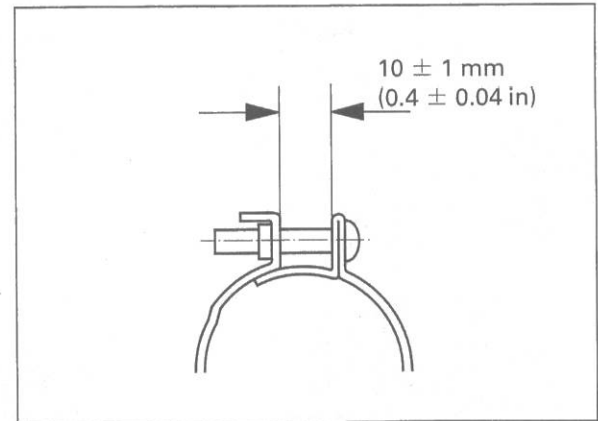
Install the air cleaner housing into the frame from the left side.



Adjust the connecting tube band angle.



Tighten the connecting tube band screws so that the band ends clearance is 10 ± 1 mm (0.4 ± 0.04 in).



Install and tighten the air cleaner housing mounting bolt.

