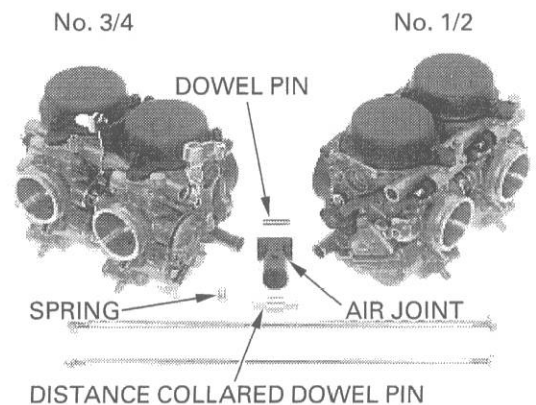


FUEL SYSTEM

Separate the No. 3/4 carburetors from the No. 1/2 carburetors.

Remove the following:

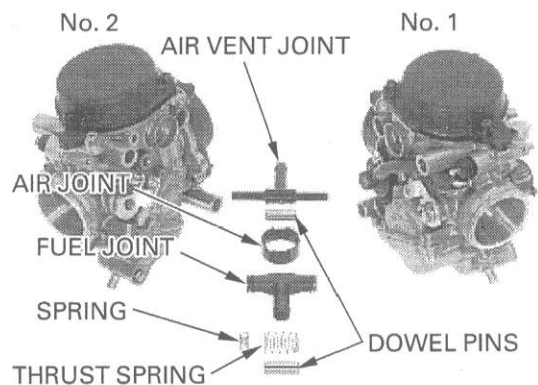
- No.2 carburetor synchronization spring
- 3-way air joint pipe/O-rings
- Dowel pin (5 mm bolt side)
- Distance collared dowel pin (6 mm bolt side)



Separate the No.1 carburetor from the No.2 carburetor.

Remove the following:

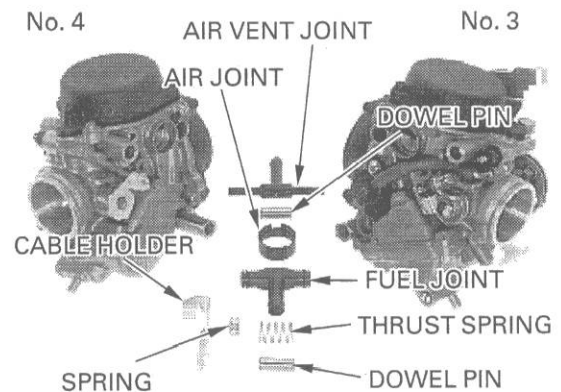
- No.1 carburetor synchronization spring
- Thrust spring
- Air joint rubber pipe
- 3-way air vent joint pipe/O-rings
- 3-way fuel joint pipe/O-rings
- Dowel pin (5 mm bolt side)
- Dowel pin (6 mm bolt side)



Separate the No.3 carburetor from the No.4 carburetor.

Remove the following:

- Choke cable holder
- No.4 carburetor synchronization spring
- Thrust spring
- Air joint rubber pipe
- 3-way air vent joint pipe/O-rings
- 3-way fuel joint pipe/O-rings
- Dowel pin (5 mm bolt side)
- Dowel pin (6 mm bolt side)



Remove the screws and throttle cable holder from the No.3 carburetor.

