

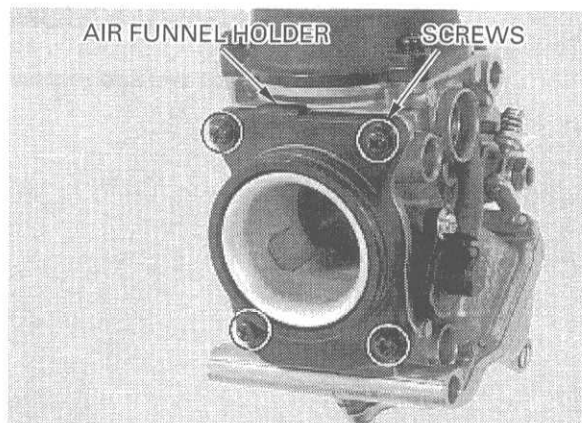
CARBURETOR DISASSEMBLY

NOTE:

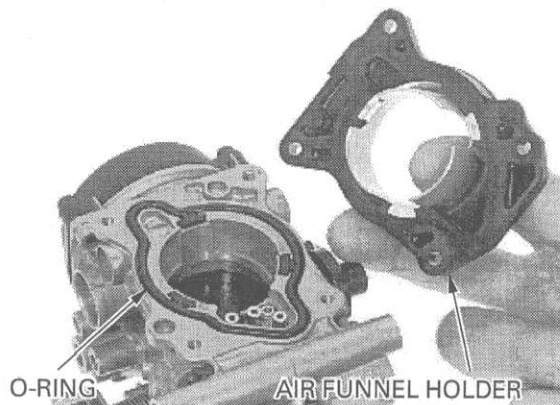
Note the location of each carburetor part so they can be replaced in their original locations.

AIR FUNNEL

Remove the screws and air funnel holder.

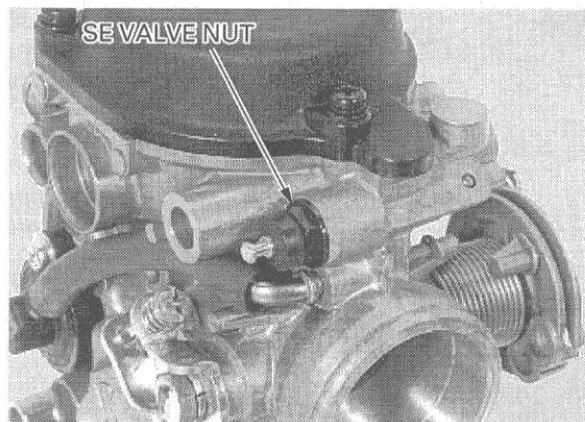


Remove the air funnel from the holder.
Remove the O-ring from the carburetor body.



STARTING ENRICHMENT VALVE

Remove the SE valve nut.



Remove the SE valve and spring.

