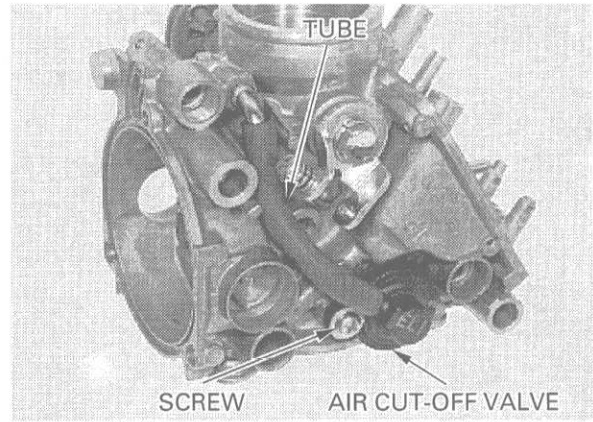
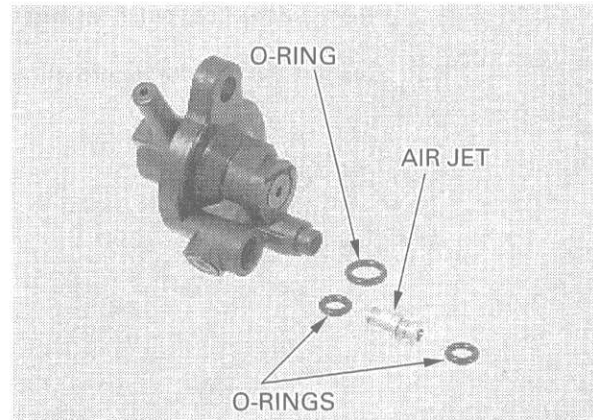


AIR CUT-OFF VALVE

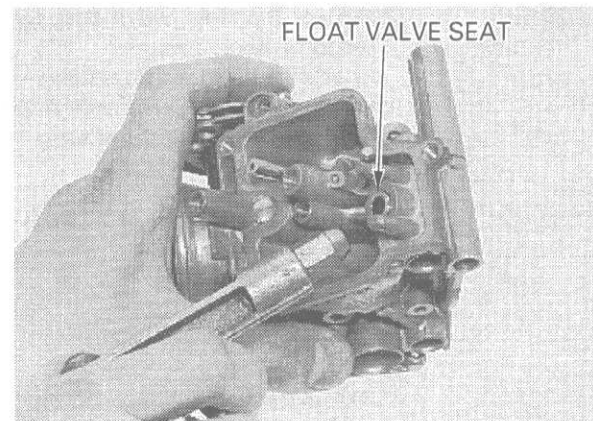
Disconnect the air cut-off valve tube.
Remove the air cut-off valve mounting screw.



Remove the air cut-off valve, air jet and O-rings.



Clean the fuel strainer in the float valve seat using compressed air from the float valve seat side.



Blow open each air and fuel passages in the carburetor body with compressed air.

