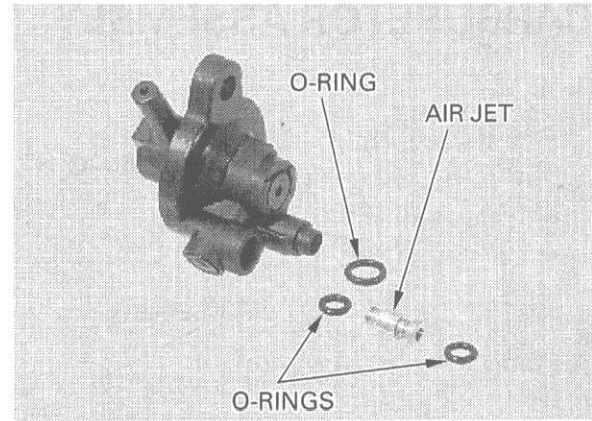


AIR CUT-OFF VALVE

Install the O-ring onto the air jet and air cut-off valve as shown.

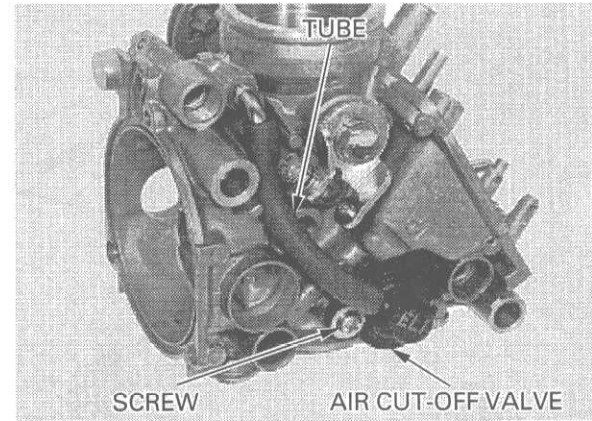
NOTE:

Install the air jet with its small end facing the air cut-off valve.



Install the air jet and air cut-off valve onto the carburetor.

Install and tighten the mounting screw. Connect the air cut-off valve tube.



FLOAT AND JETS

Install the following:

- Slow jet
- Needle jet holder
- Main jet

CAUTION:

Handle all jets with care. They can easily be scored or scratched.

Install the pilot screw and return it to its original position as noted during removal. Perform the pilot screw adjustment procedure if a new pilot screw is installed (page 5-25).

