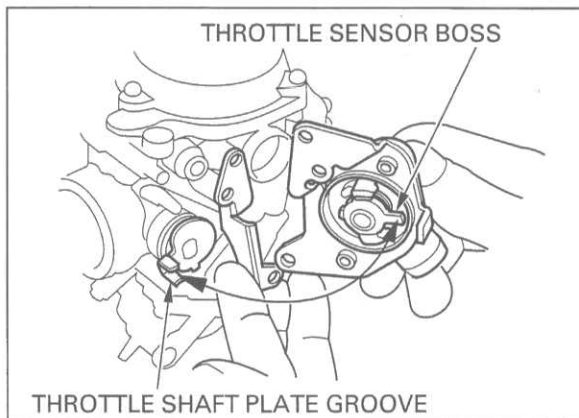


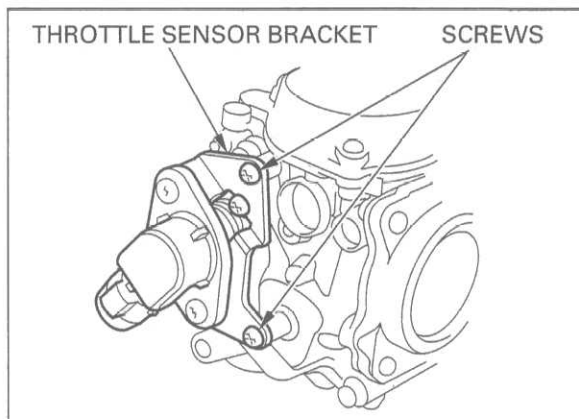
Install the plastic washers and tighten the SE valve arm screw securely.



If the throttle sensor is removed, install the throttle sensor aligning its boss with the groove on the throttle shaft plate.



Install and tighten the throttle sensor bracket mounting screws.



Install the air vent tubes, sub-air cleaner tube and fuel tube.

