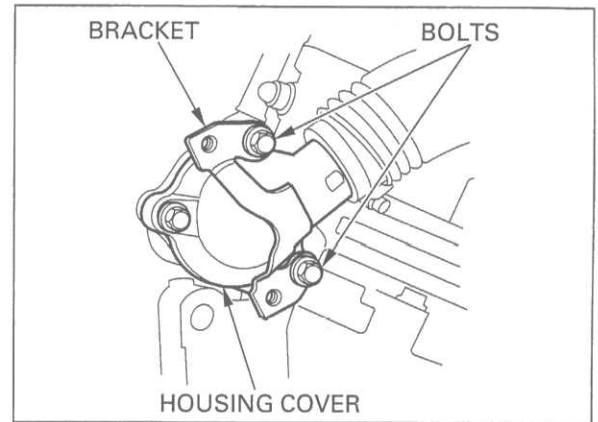
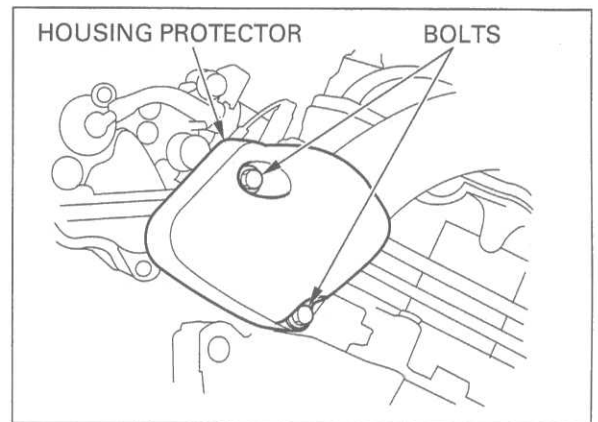


Install the thermostat housing protector bracket and bolts, tighten the housing cover bolts.



Install the thermostat housing protector and tighten the two bolts.

Fill the system with recommended coolant and bleed the air (page 6-5).



RADIATOR

CAUTION:

Be careful not to damage the radiator fins while servicing the radiator.

REMOVAL

Drain the coolant (page 6-4).
Remove the fuel tank (page 2-4).

Disconnect the radiator sub-harness 3P (Blue) connector.

Disconnect the siphon tube and upper radiator hose from the right side of the radiator.

