

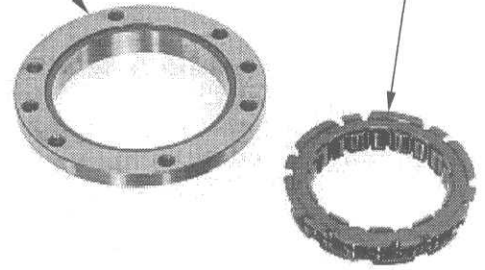
ALTERNATOR/STARTER CLUTCH

Check the one-way clutch sprag for abnormal wear, damage or irregular movement.

Check the one-way clutch roller contact surface of the clutch outer for abnormal wear or damage, replace if necessary.

CLUTCH OUTER

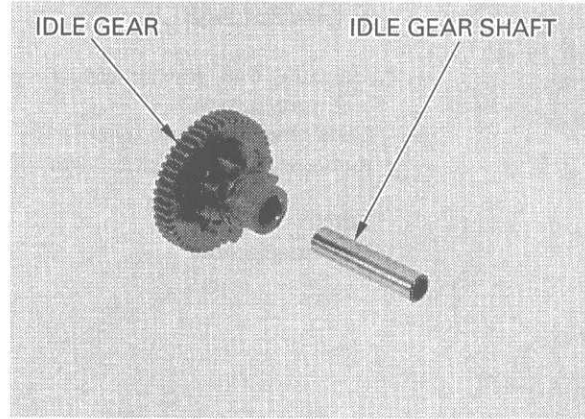
ONE-WAY CLUTCH



Check the starter idle gear shaft, gear and shaft journal for wear or damage, replace if necessary.

IDLE GEAR

IDLE GEAR SHAFT



ASSEMBLY

