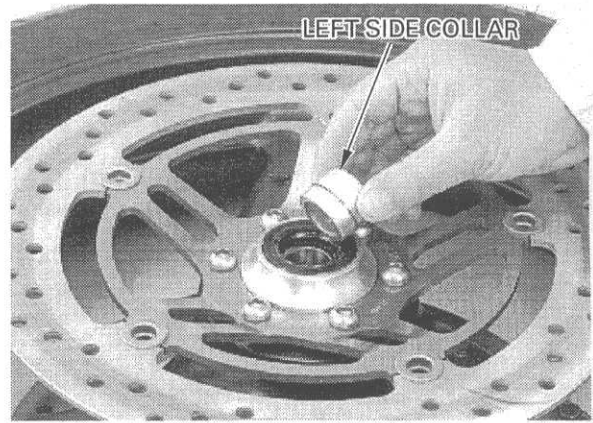
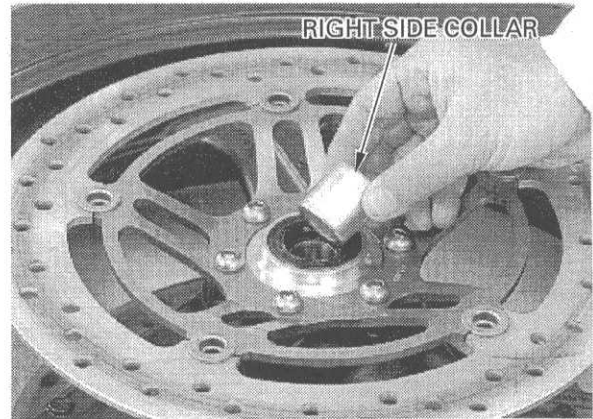


INSTALLATION

Install the left side collar.

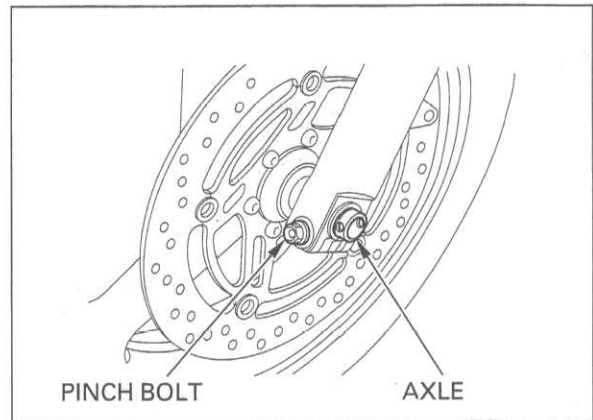


Install the right side collar.



Install the front wheel between the fork legs while aligning the left brake disc between the left brake caliper pads.

Apply thin layer of grease to the front axle surface.
Install the front axle from the left side.



Hold the axle and tighten the axle bolt to the specified torque.

TORQUE: 59 N·m (6.0 kgf·m , 43 lbf·ft)

Tighten the right axle pinch bolt to the specified torque.

TORQUE: 22 N·m (2.2 kgf·m , 16 lbf·ft)

