

# FRONT WHEEL/SUSPENSION/STEERING

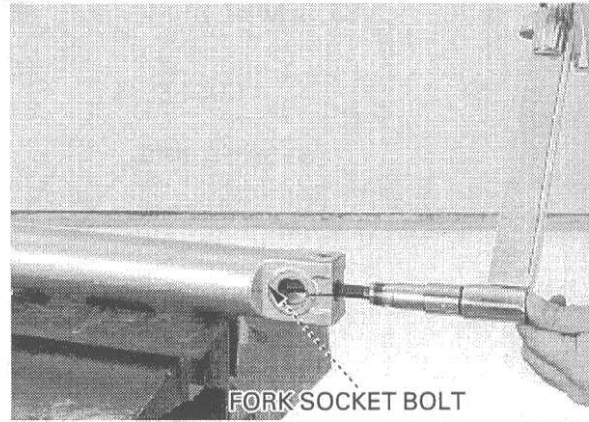
Hold the fork slider in a vise with soft jaws or a shop towel.

Apply a locking agent to the for socket bolt threads and install and tighten the socket bolt with a new sealing washer into the fork piston.

## NOTE:

If the fork piston turns with the socket bolt, temporarily install the fork spring and fork cap.

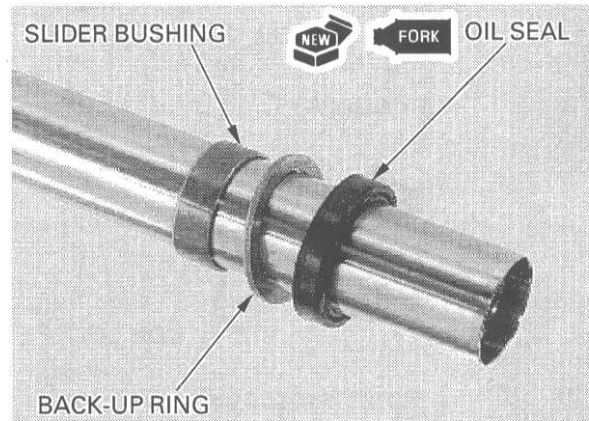
**TORQUE:** 20 N·m (2.0 kgf·m , 14 lbf·ft)



*Install the oil seal with its marked side facing up.*

Apply recommended fork fluid to the guide bushing, and new fork oil seal lips.

Install the fork oil seal, back-up ring and guide bushing onto the fork tube.

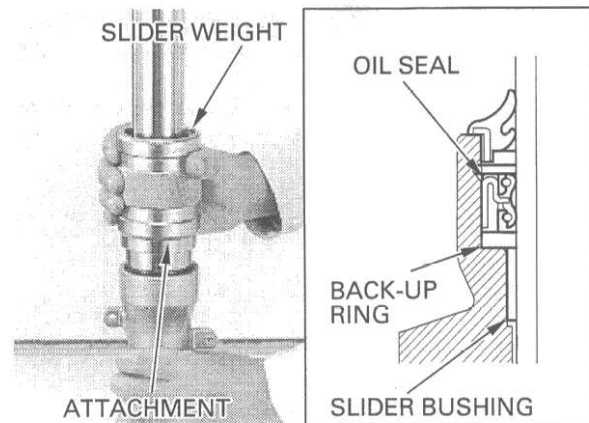


Drive the oil seal in using the special tools.

## TOOLS:

**Slider weight** 07947-KA50100

**Oil seal driver attachment** 07947-KF00100



Install the stopper ring into the fork slider groove securely.

Install the dust seal.

