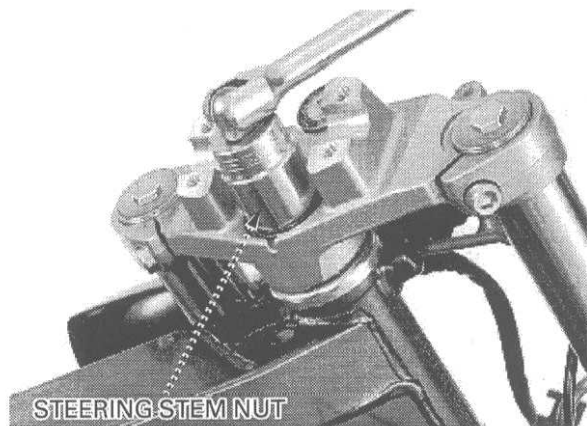


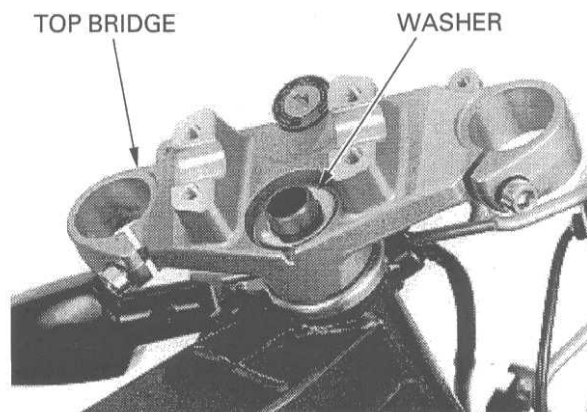
FRONT WHEEL/SUSPENSION/STEERING

Loosen and remove the steering stem nut.

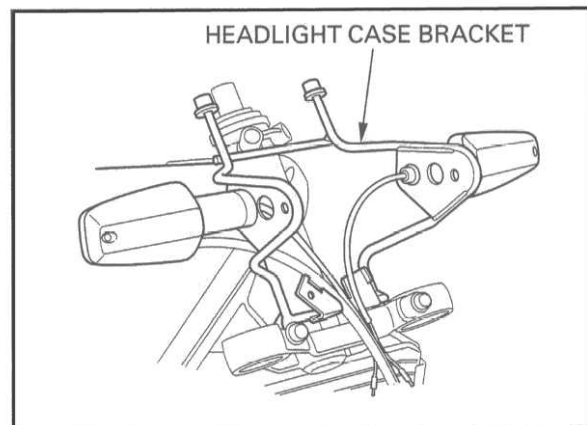
Remove the fork legs (page 13-16).



Remove the washer and the top bridge.



Remove the headlight case bracket assembly from the steering stem.



Straighten the tabs of the lock washer.

Remove the lock nut and lock washer.

