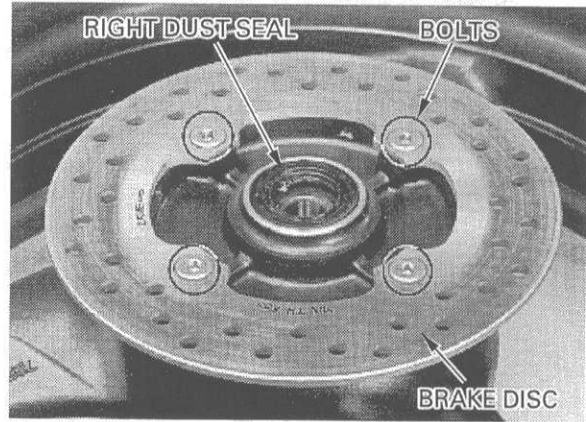


DISASSEMBLY

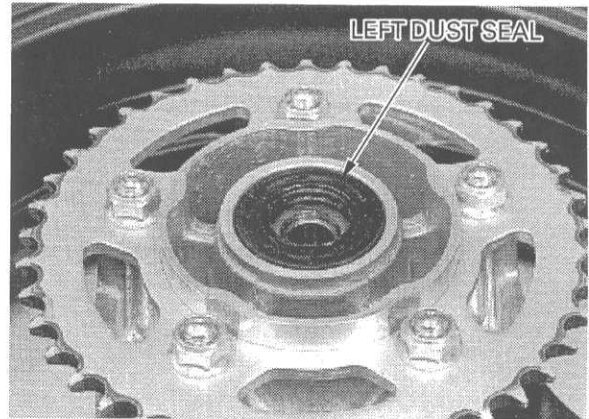
Remove the bolts and brake disc.
Remove the right dust seal.



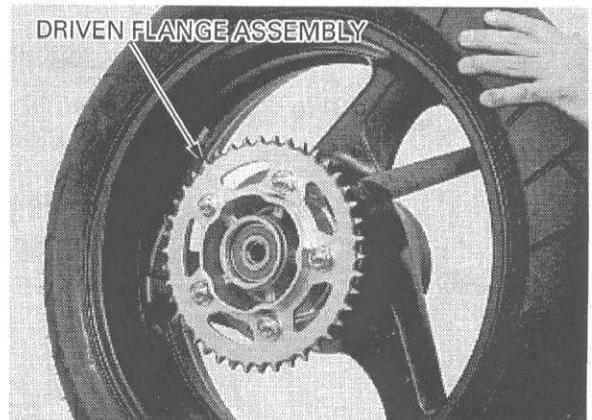
Remove the left dust seal.

NOTE:

If you will be disassemble the driven flange, loosen the driven sprocket nuts before removing the driven flange from the wheel hub.



Remove the driven flange assembly from the left wheel hub.



Remove the wheel damper rubbers.
Remove the O-ring.

