

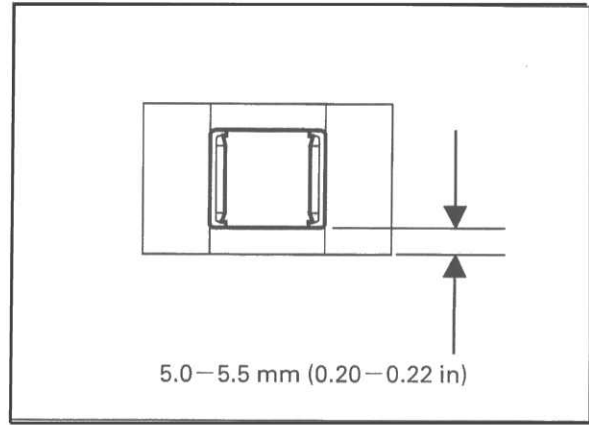
Pack a new needle bearing with multi-purpose grease.
 Install a new needle bearing into the shock link so that the needle bearing surface is lower 5.0–5.5 mm (0.20–0.22 in) from the end of the shock link surface.

NOTE:

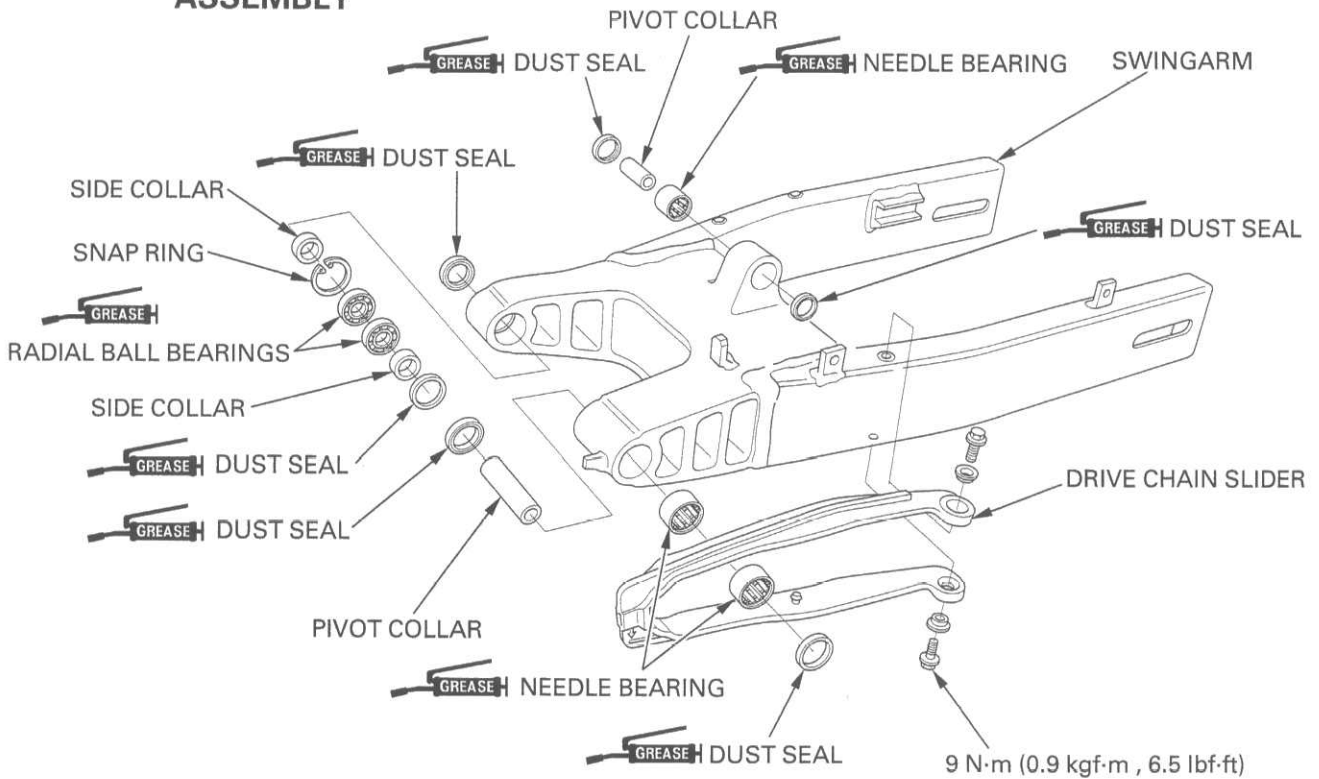
Press the needle bearing into the shock link with the marked side facing out.

TOOL:

Needle bearing remover 07LMC-KV30100



ASSEMBLY



Apply grease to the dust seal lips, then install the dust seals and pivot collar into the shock absorber pivot.

Apply grease to the dust seal lips, then install the dust seals, side collars and pivot collar into the swingarm pivot.

