

STARTER MOTOR

REMOVAL

▲WARNING

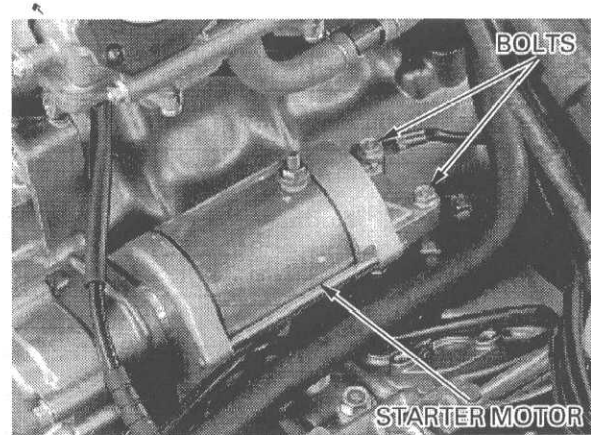
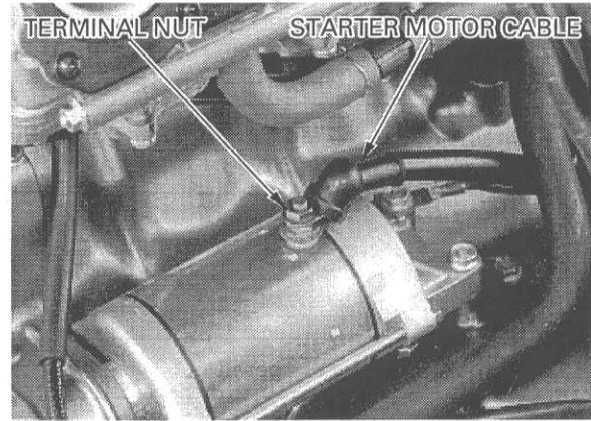
With the ignition switch OFF, remove the negative cable at the battery before servicing the starter motor.

Remove the air cleaner housing (page 5-4).

Remove the terminal nut and the starter motor cable from the starter motor.

Remove the starter motor mounting bolts and ground cable.

Pull the starter motor out of the crankcase.



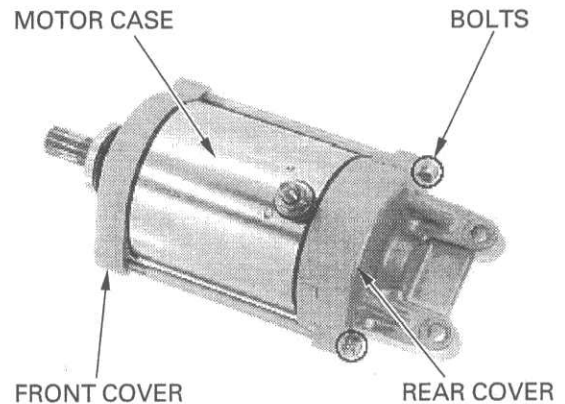
DISASSEMBLY

NOTE:

Record the location and number of shims.

Remove the following:

- Starter motor case bolts
- Front and rear covers
- Armature



INSPECTION

Check for continuity between the cable terminal and the brush wire (the indigo colored wire or the insulated brush holder).

There should be continuity.

