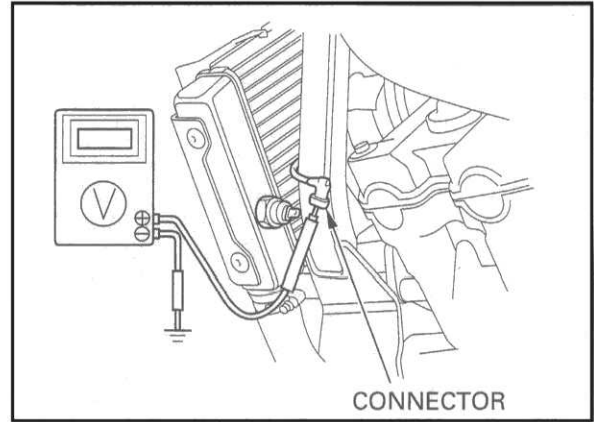


If the motor does not start, check for voltage between the fan motor switch connector and ground.

If battery voltage is measured, replace fan motor.

If there is no battery voltage, check for poor connection of the connector or broken wire harness.



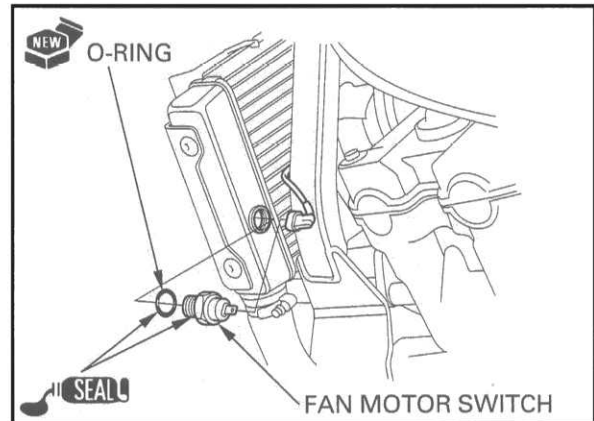
REMOVAL/INSTALLATION

Disconnect the fan motor switch connector and remove the switch.

Install a new O-ring onto the fan motor switch. Apply sealant to the fan motor switch threads and O-ring.

Install and tighten the fan motor switch to the specified torque.

TORQUE: 18 N·m (1.8 kgf·m, 13 lbf·ft)

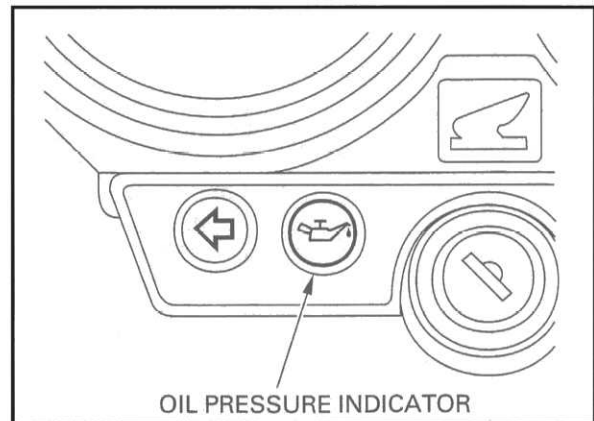


OIL PRESSURE SWITCH

INSPECTION

If the oil pressure warning indicator stays on while the engine running, check the engine oil level before inspection.

Make sure that the oil pressure warning indicator come on with the ignition switch ON.



If the indicator does not come on, inspect as follow:

Remove the dust cover.

Remove the screw and oil pressure switch terminal.

