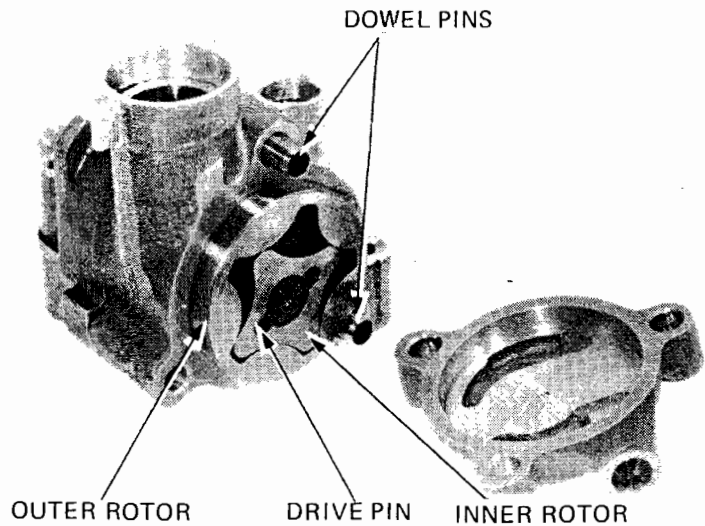
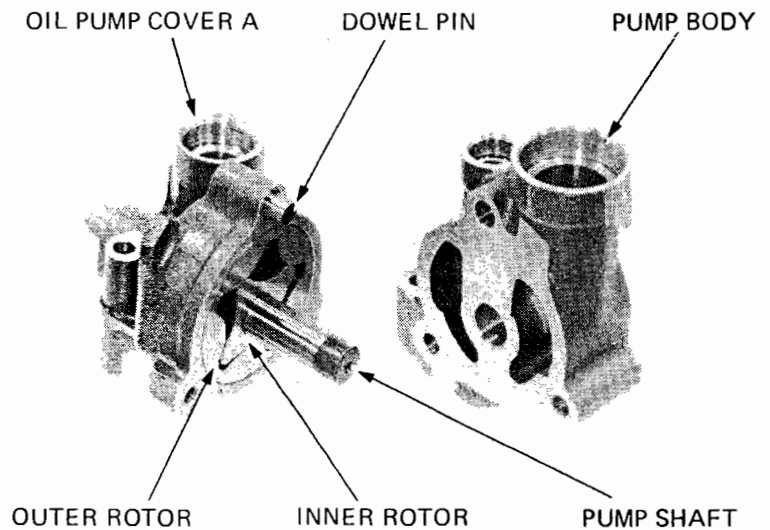




Remove the two dowel pins.
 Remove the inner and outer rotors of the cooler pump.
 Remove the pump drive pin.



Remove the pump body from pump cover A.
 Remove the dowel pin.
 Remove the inner and outer rotors of the feed pump.
 Remove the pump drive pin and thrust washer.
 Remove the oil pump shaft from cover A.
 Clean and dry all oil pump components.



INSPECTION

Install the feed pump inner and outer rotors, thrust washer and pump shaft into pump cover A.
 Measure the pump tip clearance.

SERVICE LIMIT: 0.20 mm (0.008 in)

