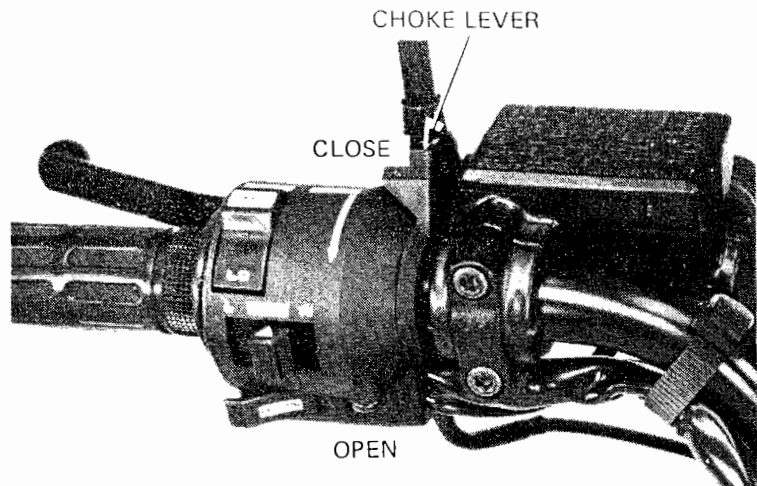




## CARBURETOR CHOKE

The CB700SC choke system uses a fuel enriching circuit controlled by a bystarter valve. The bystarter valve opens the enriching circuit via a cable when the choke lever on the handlebar is pulled down.

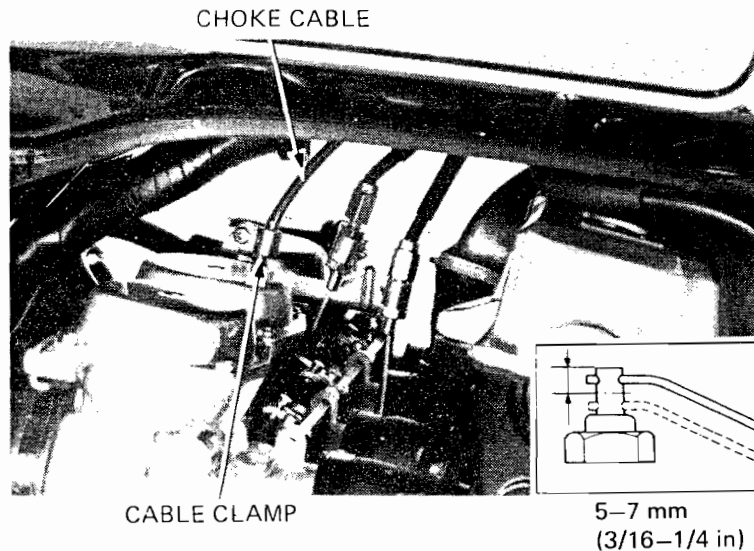
Check for smooth upper choke lever operation. Lubricate the choke cable if the operation is not smooth.



Pull the choke lever on the handlebar all the way back to the fully open position and measure the choke valve stroke at the No. 3 carburetor between the fully closed and fully open positions.

**CHOKE VALVE STROKE: 5–7 mm (3/16–1/4 in)**

just if necessary by loosening the choke cable clamp on the carburetor and moving the cable casing. Recheck the choke valve stroke.



## AIR CLEANER

Remove the seat.  
Remove the four air cleaner cover screws and the cover.

