



Measure the free length of each hydraulic tappet as follows:

Attach the Hydraulic Tappet Bleeder to the hydraulic tappet and compress and extend the hydraulic tappet bleeder slowly in a jar filled with kerosene.

NOTE

Hold the hydraulic tappet upright while compressing and extending the bleeder.

Continue operating the hydraulic tappet bleeder until there are no air bubbles from the hydraulic tappet.

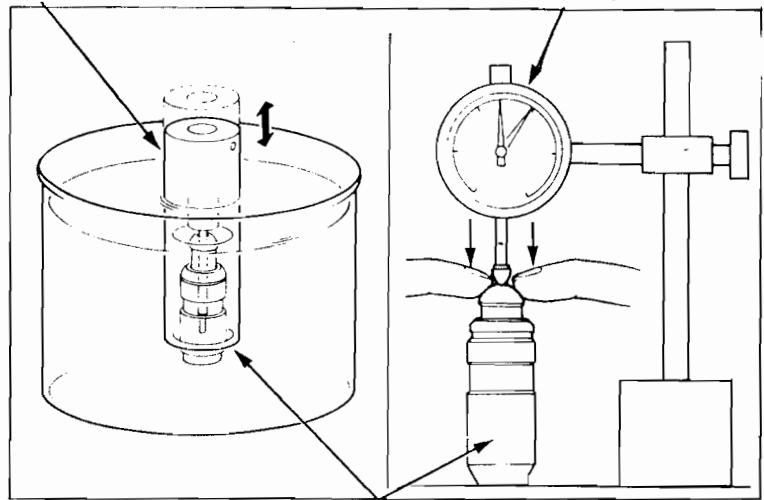
Remove the hydraulic tappet and try to compress it quickly by hand. Measure the compression stroke with a dial gauge on a flat place.

COMPRESSION STROKE: 0–0.2 mm

NOTE

Keep the hydraulic tappet below the surface of kerosene while priming the hydraulic tappet.

HYDRAULIC TAPPET BLEEDER
07973-MJ00000



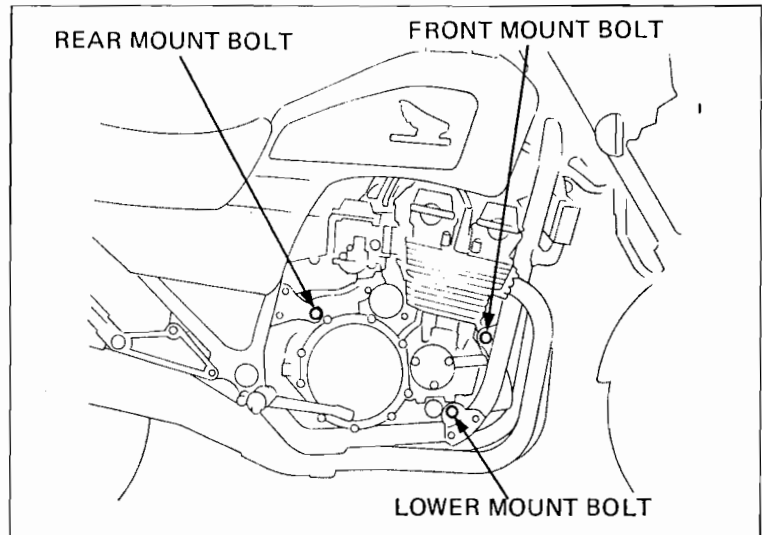
HYDRAULIC TAPPET

CYLINDER HEAD DISASSEMBLY

- Remove the carburetor (Section 4).
- Remove the exhaust pipes (Section 17).
- Remove the camshafts (Page 6-3).
- Remove the hydraulic tappets (Page 6-8).

Place a floor jack or other adjustable support under the engine.

Remove the lower and rear engine mount bolts. Lower the engine onto the frame by pivoting it from the front engine mount bolt.



Remove the four bolts mounting the cam chain tensioner.

CAM CHAIN TENSIONER BOLTS

