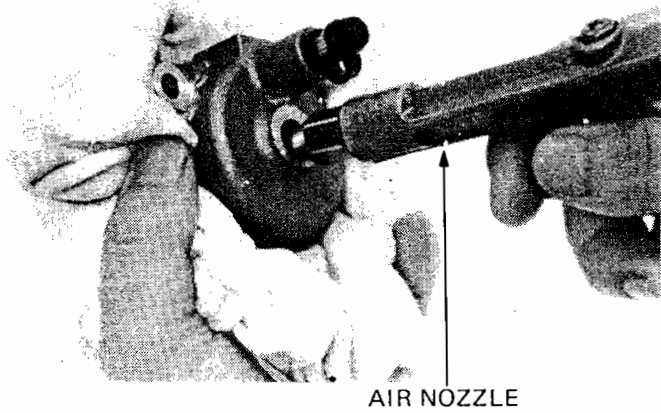




Remove the piston from the cylinder.

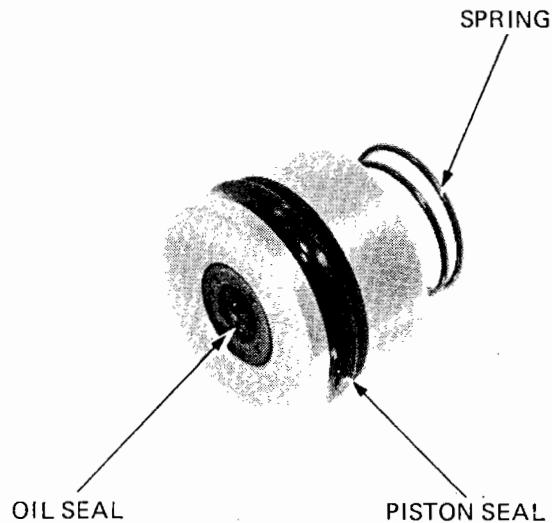
If piston removal is hard, place a shop towel over the piston to cushion the piston when it is expelled, and position the cylinder with the piston down.

Apply compressed air to the fluid inlet to remove the piston. Use the air in short spurts.



Remove the spring from the slave cylinder.

Remove the oil and piston seals.
Clean the piston groove with clutch fluid.
Check the piston spring for weakness or damage.



PISTON O.D. INSPECTION

Check the piston for scoring or scratches.
Measure the outside diameter of the piston with a micrometer.

SERVICE LIMIT: 38.02 mm (1.497 in)

