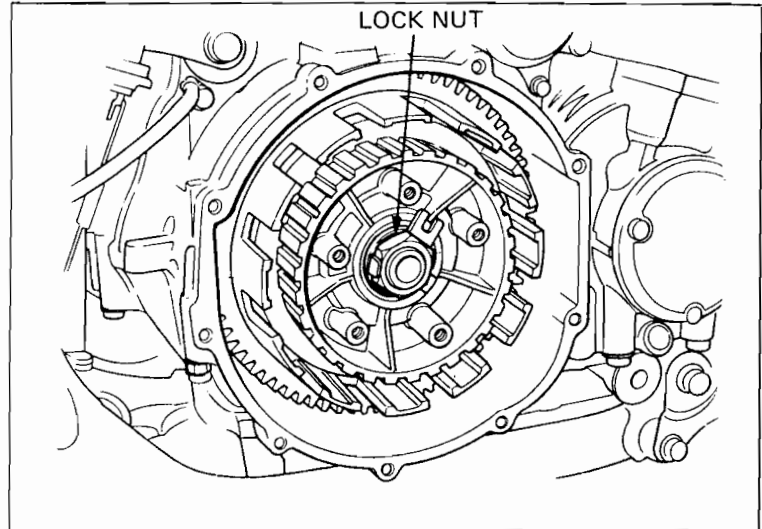




**CLUTCH**

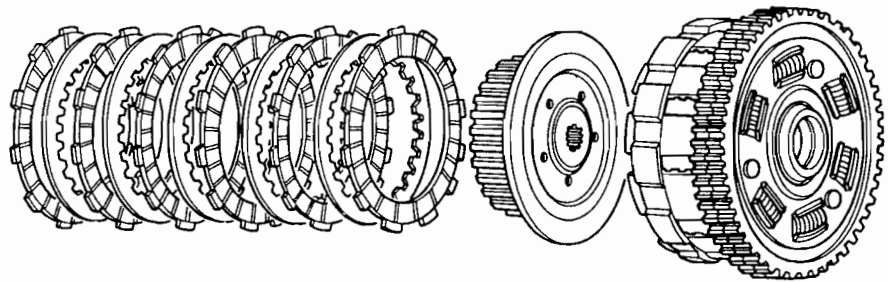
Remove oil from the clutch lock nut and apply a locking agent to the nut threads.  
Shift the transmission into 6th gear.  
Depress the brake pedal and tighten the lock nut.

**TORQUE:** 75–85 N·m  
(7.5–8.5 kg·m, 54–62 ft·lb)



Coat the discs and plates with clean engine oil.

Install the clutch discs and plates as shown.



Insert the lifter rod into the mainshaft.

Install the clutch release bearing and lifter guide into the clutch pressure plate.

Install the clutch pressure plate.

