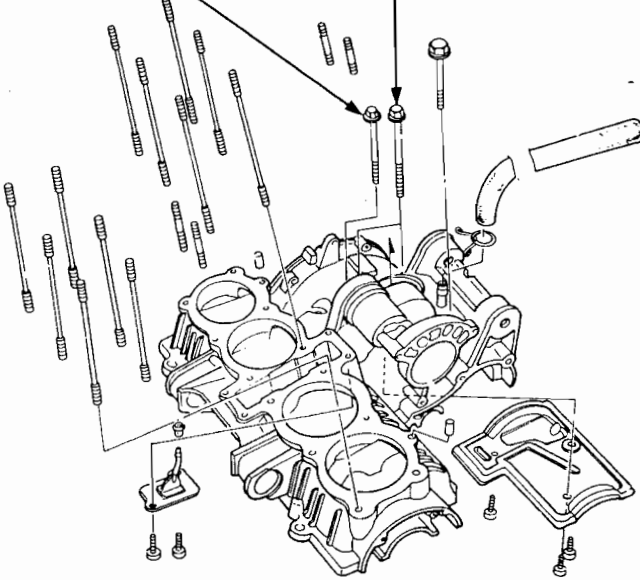


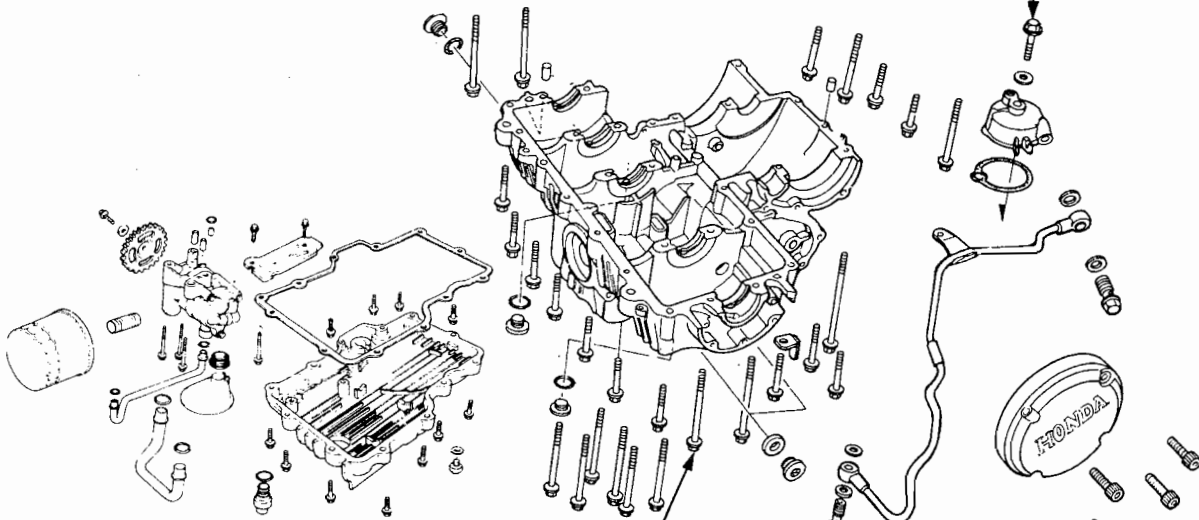


6 mm: 10–14 N·m  
(1.0–1.4 kg·m,  
7–10 ft·lb)

7 mm: 15–19 N·m  
(1.5–1.9 kg·m, 11–14 ft·lb)



16–20 N·m  
(1.6–2.0 kg·m,  
12–15 ft·lb)



8 mm: 21–25 N·m  
(2.1–2.5 kg·m,  
15–18 ft·lb)

16–20 N·m  
(1.6–2.0 kg·m,  
12–14 ft·lb)