



OUTPUT GEAR CASE

OUTPUT DRIVE GEAR (COUNTERSHAFT) REMOVAL

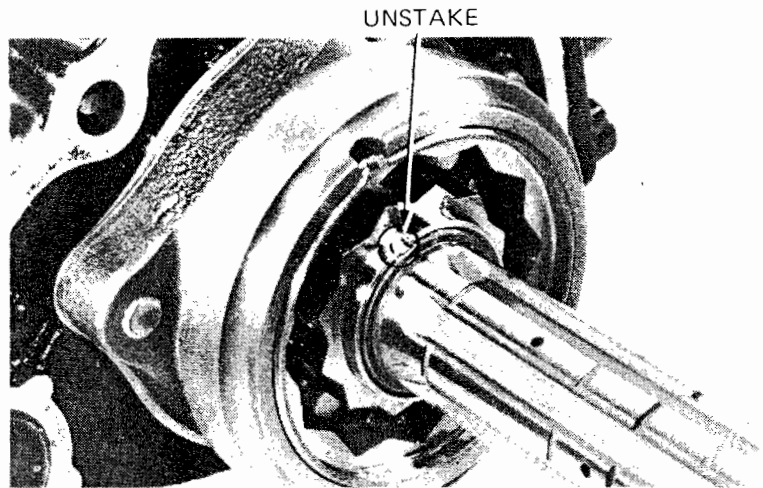
Disassemble the countershaft (Page 11-5).
Place the output gear case in a vise with soft jaws,
being careful not to distort it.

Place a holder tool on the output driven gear shaft,
wedging it to lock the shaft.

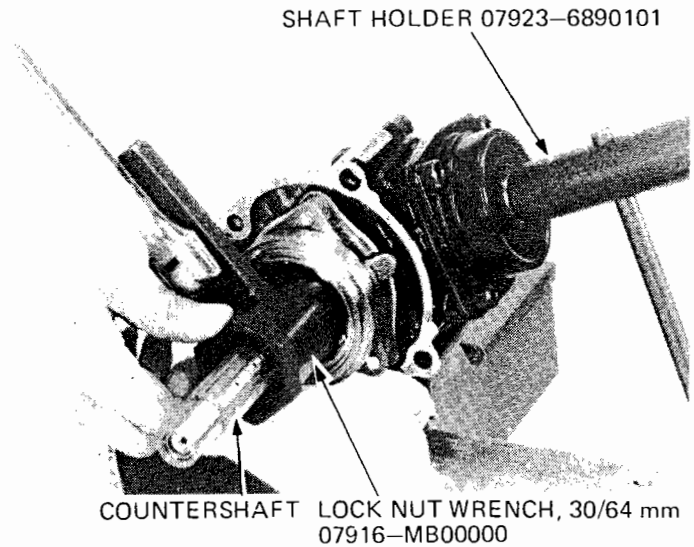
Pry or drill the staked edge of lock nut flange up.

NOTE

Be careful that metal particles do not enter
the bearing.



Remove the bearing inner race lock nut and discard
the nut.



Remove the countershaft bearing holder bolts.

Remove the countershaft holder and shim.

