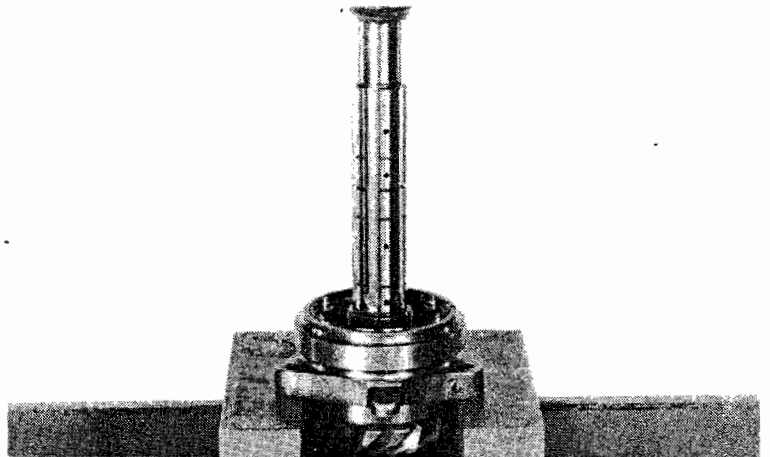




Place the countershaft/holder in a press.

Press the countershaft out of the bearing holder.



COUNTERSHAFT BEARING REPLACEMENT

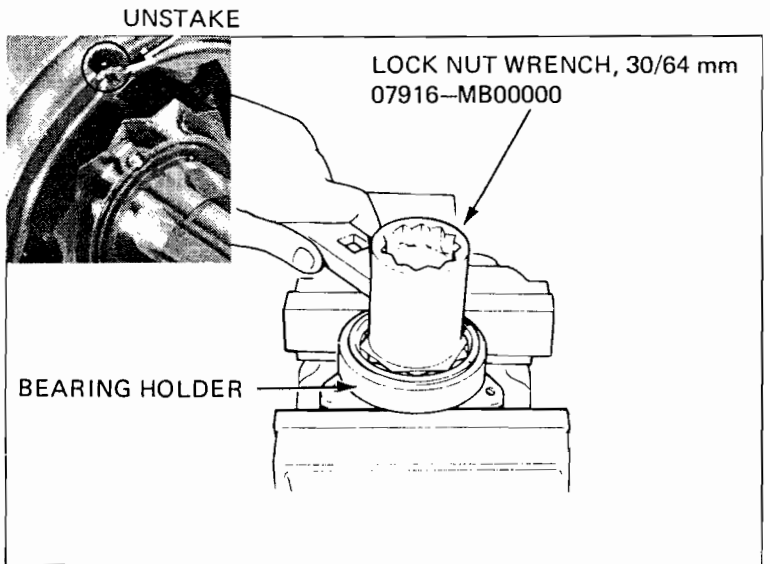
Place the bearing holder in a vise with soft jaws or a shop towel.

NOTE

Be careful not to damage the bearing holder, especially the surface that fits against the crankcase.

Unstake the outer race lock nut with a punch.

Remove the bearing outer race lock nut with the special tool.



Place the bearing holder in a press and remove the bearing.

Press in a new bearing.

